

MODEL 2049

TANK MANIFOLD

OVERVIEW

Normally, an installation of this type requires three to four different nozzles: one per piece of equipment and sensing ports. The Model 2049 manifold is designed to allow a very compact installation of a blanketing valve and vent valve on one single tank nozzle.

TECHNIQUE

The 2049 is designed so that the blanketing gas flows into the vapor of the tank without affecting the normal operation of the vent valve.

BENEFITS

- Single Tank Nozzle Required
- Ease of Installation & Maintenance



MODEL 2049 MANIFOLD
Shown with Models
1049 Secure-Gard & 1078 Vacu-Gard
All Patented Products



NOZZLE CONNECTION SIZES

2" (DN50), 3" (DN80), 4" (DN100),
6" (DN150), 8" (DN200), 10" (DN250),
12" (DN300)



END CONNECTIONS

RF FLANGED



COMMON APPLICATIONS

STORAGE TANK VENTING SOLUTION



DESIGN PRESSURE

MULTIPLE SET PRESSURE & VACUUM
RANGES AVAILABLE

Алматы (7273)495-231
Ангарск (3955)60-70-56
Архангельск (8182)63-90-72
Астрахань (8512)99-46-04
Барнаул (3852)73-04-60
Белгород (4722)40-23-64
Благовещенск (4162)22-76-07
Брянск (4832)59-03-52
Владивосток (423)249-28-31
Владикавказ (8672)28-90-48
Владимир (4922)49-43-18
Волгоград (844)278-03-48
Вологда (8172)26-41-59
Воронеж (473)204-51-73
Екатеринбург (343)384-55-89

Иваново (4932)77-34-06
Ижевск (3412)26-03-58
Иркутск (395)279-98-46
Казань (843)206-01-48
Калининград (4012)72-03-81
Калуга (4842)92-23-67
Кемерово (3842)65-04-62
Киров (8332)68-02-04
Коломна (4966)23-41-49
Кострома (4942)77-07-48
Краснодар (861)203-40-90
Красноярск (391)204-63-61
Курск (4712)77-13-04
Курган (3522)50-90-47
Липецк (4742)52-20-81

Магнитогорск (3519)55-03-13
Москва (495)268-04-70
Мурманск (8152)59-64-93
Набережные Челны (8552)20-53-41
Нижний Новгород (831)429-08-12
Новокузнецк (3843)20-46-81
Ноябрьск (3496)41-32-12
Новосибирск (383)227-86-73
Омск (3812)21-46-40
Орел (4862)44-53-42
Оренбург (3532)37-68-04
Пенза (8412)22-31-16
Петрозаводск (8142)55-98-37
Псков (8112)59-10-37
Пермь (342)205-81-47

Ростов-на-Дону (863)308-18-15
Рязань (4912)46-61-64
Самара (846)206-03-16
Санкт-Петербург (812)309-46-40
Саратов (845)249-38-78
Севастополь (8692)22-31-93
Саранск (8342)22-96-24
Симферополь (3652)67-13-56
Смоленск (4812)29-41-54
Сочи (862)225-72-31
Ставрополь (8652)20-65-13
Сургут (3462)77-98-35
Сыктывкар (8212)25-95-17
Тамбов (4752)50-40-97
Тверь (4822)63-31-35

Тольятти (8482)63-91-07
Томск (3822)98-41-53
Тула (4872)33-79-87
Тюмень (3452)66-21-18
Ульяновск (8422)24-23-59
Улан-Удэ (3012)59-97-51
Уфа (347)229-48-12
Хабаровск (4212)92-98-04
Чебоксары (8352)28-53-07
Челябинск (351)202-03-61
Череповец (8202)49-02-64
Чита (3022)38-34-83
Якутск (4112)23-90-97
Ярославль (4852)69-52-93

GENERAL SPECIFICATIONS

Body Material

Carbon Steel
 316 Stainless Steel
 Flange material of same general chemistry as body material.

Blanketing Connections

1/2" and 1" FNPT (screwed)
 1/2", 1", and 2" 150# RF flanges.
 DN 25,50 (PN16) flanges

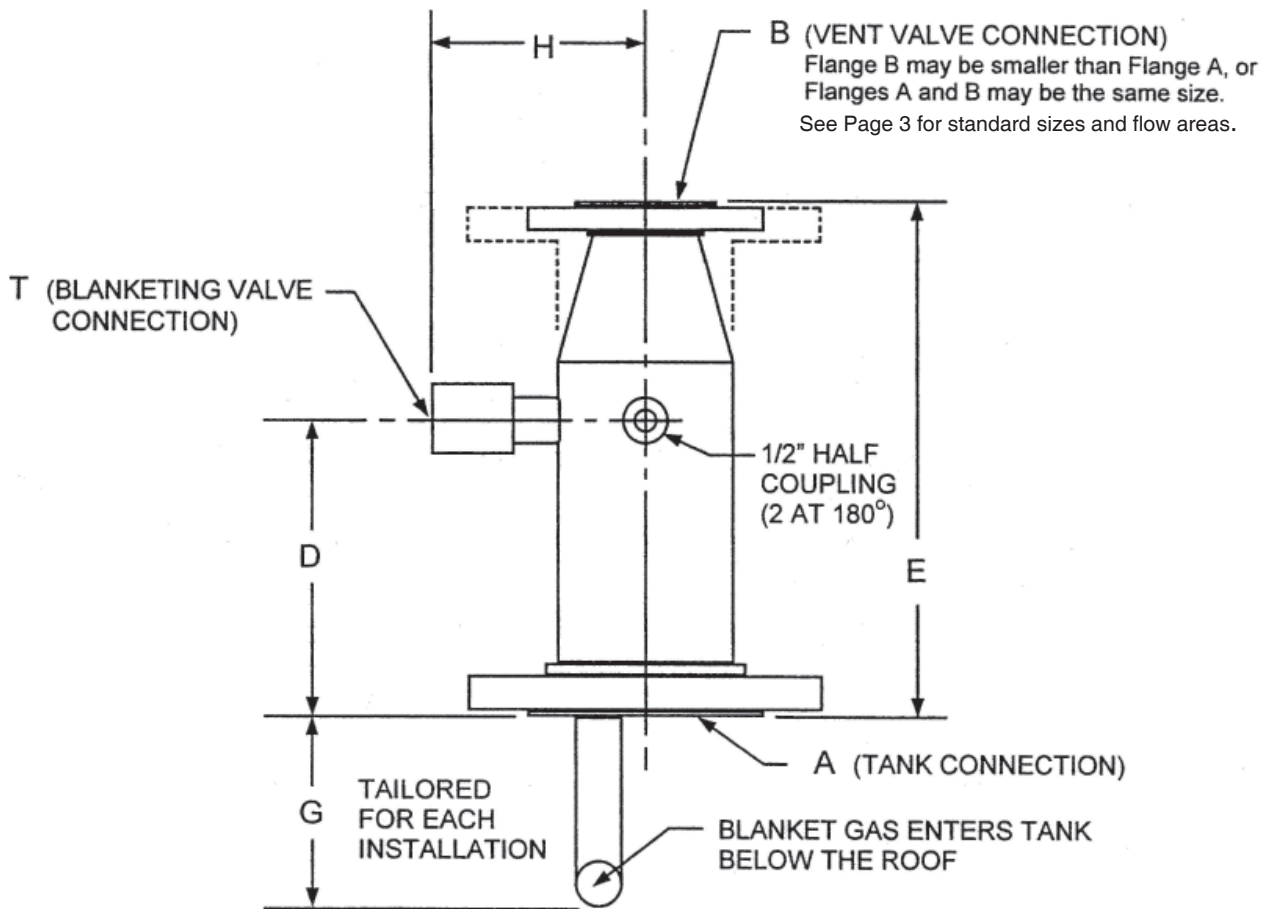
Tank Nozzle Connections

2", 3", 4", 6", 8", 10", 12" 150# RF flanges
 DN 50,80,100,150,200,250,300 (PN16) flanges
 or DN 200, 250, 300 (PN10) flanges

Venting Connections

2", 3", 4", 6", 8", 10", 12" 150# RF flanges
 DN 50,80,100,150,200,250,300 PN16 flanges
 or DN 200, 250, 300 (PN10) flanges

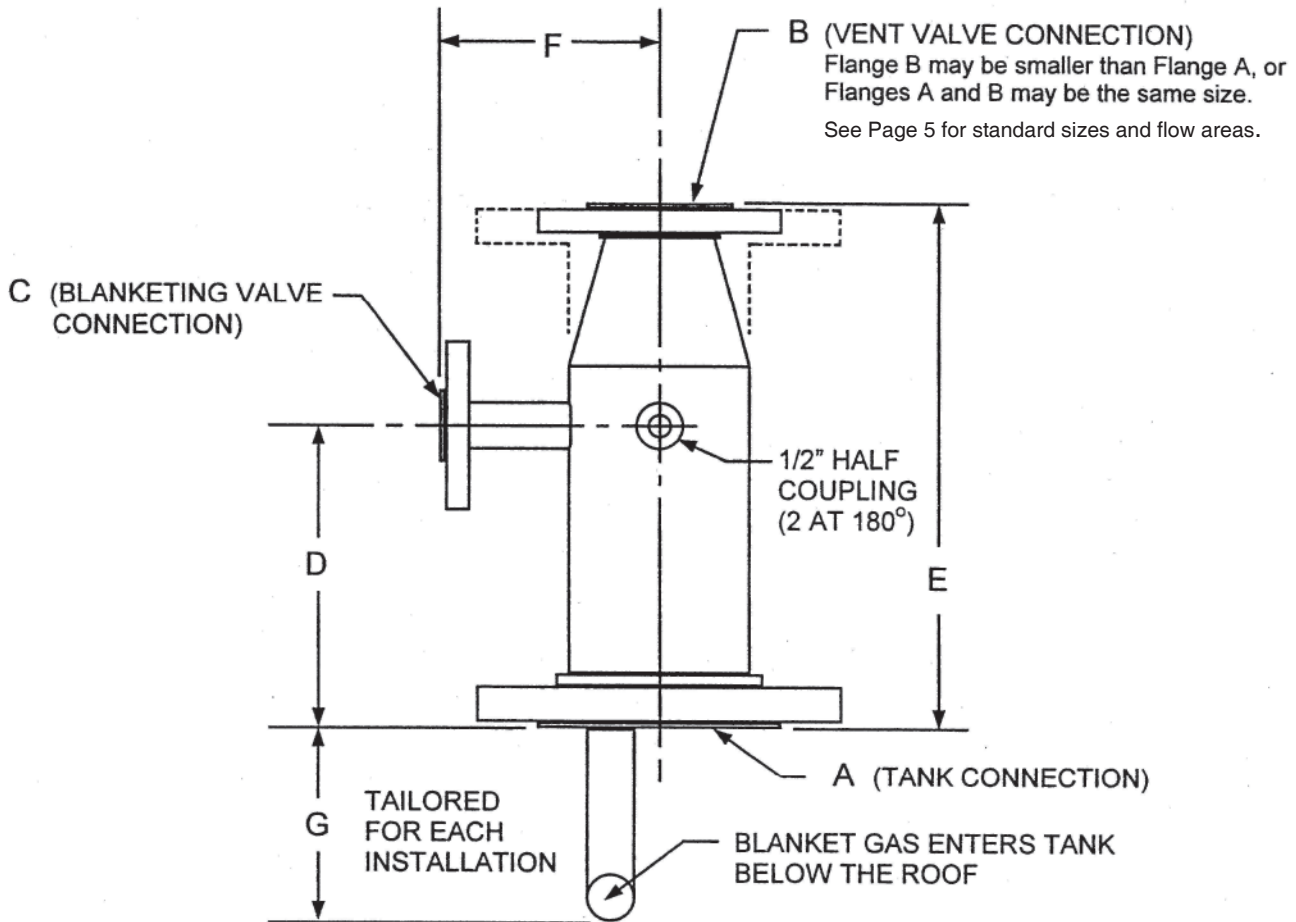
MODEL 2049T MANIFOLD FEMALE PIPE THREAD SIDE CONNECTION (PATENTED)



- Flanges (A & B) are 150# Raised Face
- T connection is always FNPT for the Model 2049T.
- All piping is standard weight.
- Specify length of probe G when ordering. It should be approximately 6 inches below the roof of the tank, not below flange A.

MODEL 2049T MANIFOLD DIMENSIONS					
Size (AXBXC)	"B" Flange Flow Area (SQ. In)	D (+/- 0.25")	E (+/- 0.25")	H (+/- 0.25")	Est. Wt. (lbs)
2"x2"x1/2"	2.32	6.00	12.00	2.84	18
3"x 2"x1"	3.35	8.00	13.62	3.93	29
3"x3"x1"	4.88	8.00	16.00	3.93	34
4"x 2"x1"	3.35	8.00	14.25	4.43	36
4"x 3"x1"	7.39	8.00	14.38	4.43	41
4"x4"x1"	10.22	8.00	16.00	4.43	46
6"x 2"x1"	3.35	8.00	15.62	5.50	51
6"x 3"x1"	7.39	8.00	15.75	5.50	56
6"x 4"x1"	12.72	8.00	15.87	5.50	60
6"x6"x1"	26.37	8.00	16.00	5.50	67
8"x 3"x1"	7.39	8.00	16.25	6.50	77
8"x 4"x1"	12.72	8.00	16.38	6.50	81
8"x 6"x1"	28.87	8.00	16.62	6.50	87
8"x8"x1"	47.50	8.00	16.00	6.50	100
10"x 4"x1"	12.72	8.00	17.37	7.56	111
10"x 6"x1"	28.87	8.00	17.62	7.56	117
10"x 8"x1"	50.00	8.00	17.87	7.56	128
10"x10"x1"	76.31	8.00	16.00	7.56	139
12"x 6"x1"	28.87	8.00	18.62	8.56	154
12"x 8"x1"	50.00	8.00	18.87	8.56	166
12"x 10"x1"	78.81	8.00	19.00	8.56	180
12"x12"x1"	109.37	8.00	16.00	8.56	195

MODEL 2049F MANIFOLD
 FLANGED SIDE CONNECTION
 (PATENTED)



- All flanges are 150# raised face
- All piping is standard weight.
- Specify length of probe G when ordering. It should be approximately 6 inches below the roof of the tank, not below flange A.

MODEL 2049F MANIFOLD DIMENSIONS					
Size (AXBXC)	"B" Flange Flow Area (SQ. In)	D (+/- 0.25")	E (+/- 0.25")	F (+/- 0.25")	Est. Wt. (lbs)
2"x2"x1/2"	2.32	6.00	12.00	3.75	18
3"x 2"x1"	3.35	8.00	13.62	4.87	29
3"x3"x1"	4.88	8.00	16.00	4.87	34
4"x 2"x1"	3.35	8.00	14.25	5.37	36
4"x 3"x1"	7.39	8.00	14.38	5.37	41
4"x4"x1"	10.22	8.00	16.00	5.37	46
6"x 2"x1"	3.35	8.00	15.62	6.44	51
6"x 3"x1"	7.39	8.00	15.75	6.44	56
6"x 4"x1"	12.72	8.00	15.87	6.44	60
6"x6"x1"	26.37	8.00	16.00	6.44	67
8"x 3"x1"	7.39	8.00	16.25	7.44	77
8"x 4"x1"	12.72	8.00	16.38	7.44	81
8"x 6"x1"	28.87	8.00	16.62	7.44	87
8"x8"x1"	47.50	8.00	16.00	7.44	100
10"x 4"x1"	12.72	8.00	17.37	8.50	111
10"x 6"x1"	28.87	8.00	17.62	8.50	117
10"x 8"x1"	50.00	8.00	17.87	8.50	128
10"x10"x1"	76.31	8.00	16.00	8.50	139
12"x 6"x1"	28.87	8.00	18.62	9.50	154
12"x 8"x1"	50.00	8.00	18.87	9.50	166
12"x 10"x1"	78.81	8.00	19.00	9.50	180
12"x12"x1"	109.37	8.00	16.00	9.50	195
8"x 4"x2"	12.72	15.00	24.87	9.00	115
8"x 6"x2"	28.87	15.00	25.12	9.00	121
8"x8"x2"	42.17	15.00	30.00	9.00	146
10"x 4"x2"	12.72	15.00	25.87	10.00	153
10"x 6"x2"	28.87	15.00	26.12	10.00	159
10"x 8"x2"	50.00	15.00	26.37	10.00	170
10"x10"x2"	70.98	15.00	30.00	10.00	200
12"x 6"x2"	28.87	15.00	27.12	11.00	202
12"x 8"x2"	50.00	15.00	27.37	11.00	214
12"x 10"x2"	78.81	15.00	27.50	11.00	228
12"x12"x2"	104.04	15.00	30.00	11.00	265

The contents of this publication are presented for informational purposes only, and while every effort has been made to ensure their accuracy, they are not to be construed as warranties or guarantees, express or implied, regarding the products or services described herein or their use or applicability. We reserve the right to modify or improve the designs or specifications of such product at any time without notice. Cashco, Inc. does not assume responsibility for the selection, use or maintenance of any product. Responsibility for proper selection, use and maintenance of any Cashco, Inc. product remains solely with the purchaser.

MODEL 2049 PRODUCT CODER 03/31/16



POSITION 3 - BODY MATERIAL	
Material	CODE
Carbon Steel	C
316 Stainless Steel	S

POSITION 4 - TANK CONNECTION			
Size	CODE	DIN Flange	CODE
2" - 150# RF Flange	A	50 (PN16)	H
3" - 150# RF Flange	B	80 (PN16)	J
4" - 150# RF Flange	C	100 (PN16)	K
6" - 150# RF Flange	D	150 (PN16)	L
8" - 150# RF Flange	E	200 (PN10)	M
		200 (PN16)	T
10" - 150# RF Flange	F	250 (PN10)	N
		250 (PN16)	V
12" - 150# RF Flange	G	300 (PN10)	P
		300 (PN16)	W

POSITION 5 - VENT CONNECTION			
Size	CODE	DIN Flange	CODE
2" - 150# RF Flange	A	50 (PN16)	H
3" - 150# RF Flange	B	80 (PN16)	J
4" - 150# RF Flange	C	100 (PN16)	K
6" - 150# RF Flange	D	150 (PN16)	L
8" - 150# RF Flange	E	200 (PN10)	M
		200 (PN16)	T
10" - 150# RF Flange	F	250 (PN10)	N
		250 (PN16)	V
12" - 150# RF Flange	G	300 (PN10)	P
		300 (PN16)	W

POSITION 6 - BLANKET CONNECTION	
Size	CODE
1/2" - NPT (DN15) *	X
1" - NPT (DN25)	1
1/2" - 150# RF Flange *	A
1" - 150# RF Flange	B
2" - 150# RF Flange **	C
DN25 (PN16) Flange	E
DN50 (PN16) Flange **	F

* Only available for use w/Size 2" (DN50) Tank connection - see Position 4.
 ** Only available for use w/Size 8" (DN200) or larger Tank connection - see Position 4.

POSITION 7 - PROBE LENGTH	
Length	CODE
12" (304mm)	D
14" (355mm)	E
16" (406mm)	F
18" (457mm)	G
20" (508mm)	H
22" (558mm)	J
24" (609mm)	K

Other lengths available. Please consult factory.

NOTE: Please code for Blanketing Valve and Vent Valve on separate model technical bulletins. Blanketing Valve must be horizontal outlet with remote sensing.

Алматы (7273)495-231
 Ангарск (3955)60-70-56
 Архангельск (8182)63-90-72
 Астрахань (8512)99-46-04
 Барнаул (3852)73-04-60
 Белгород (4722)40-23-64
 Благовещенск (4162)22-76-07
 Брянск (4832)59-03-52
 Владивосток (423)249-28-31
 Владикавказ (8672)28-90-48
 Владимир (4922)49-43-18
 Волгоград (844)278-03-48
 Вологда (8172)26-41-59
 Воронеж (473)204-51-73
 Екатеринбург (343)384-55-89

Иваново (4932)77-34-06
 Ижевск (3412)26-03-58
 Иркутск (395)279-98-46
 Казань (843)206-01-48
 Калининград (4012)72-03-81
 Калуга (4842)92-23-67
 Кемерово (3842)65-04-62
 Киров (8332)68-02-04
 Коломна (4966)23-41-49
 Кострома (4942)77-07-48
 Краснодар (861)203-40-90
 Красноярск (391)204-63-61
 Курск (4712)77-13-04
 Курган (3522)50-90-47
 Липецк (4742)52-20-81

Магнитогорск (3519)55-03-13
 Москва (495)268-04-70
 Мурманск (8152)59-64-93
 Набережные Челны (8552)20-53-41
 Нижний Новгород (831)429-08-12
 Новокузнецк (3843)20-46-81
 Ноябрьск (3496)41-32-12
 Новосибирск (383)227-86-73
 Омск (3812)21-46-40
 Орел (4862)44-53-42
 Оренбург (3532)97-68-04
 Пенза (8412)22-31-16
 Петроаводск (8142)55-98-37
 Псков (8112)59-10-37
 Пермь (342)205-81-47

Ростов-на-Дону (863)308-18-15
 Рязань (4912)46-61-64
 Самара (846)206-03-16
 Санкт-Петербург (812)309-46-40
 Саратов (845)249-38-78
 Севастополь (8692)22-31-93
 Саранск (8342)22-96-24
 Симферополь (3652)67-13-56
 Смоленск (4812)29-41-54
 Сочи (862)225-72-31
 Ставрополь (8652)20-65-13
 Сургут (3462)77-98-35
 Сыктывкар (8212)25-95-17
 Тамбов (4752)50-40-97
 Тверь (4822)63-31-35

Тольятти (8482)63-91-07
 Томск (3822)98-41-53
 Тула (4872)33-79-87
 Тюмень (3452)66-21-18
 Ульяновск (8422)24-23-59
 Улан-Удэ (3012)59-97-51
 Уфа (347)229-48-12
 Хабаровск (4212)92-98-04
 Чебоксары (8352)28-53-07
 Челябинск (351)202-03-61
 Череповец (8202)49-02-64
 Чита (3022)98-34-83
 Якутск (4112)23-90-97
 Ярославль (4852)69-52-93

Россия +7(495)268-04-70

Казахстан +7(7172)727-132

Киргизия +996(312)96-26-47

<https://cashco.nt-rt.ru/> || coc@nt-rt.ru