



## Model 6A00-EM

### Inline Deflagration Flame Arrestor Easy Maintenance

#### **OBJECTIVE**

The Model 6A00 inline deflagration flame arrestor is a device that can be fitted to the opening of an enclosure or to the connecting pipe work of a system of enclosures. Its primary function is to allow the flow of gases or vapor of flammable liquids through the enclosure, but prevent the transmission of a flame. The element inside the housing provides an extinguishing barrier to the ignited vapor mixture by absorbing heat from the flame. The Model 6A00 is used as an independent safety system to ensure explosion protection.

#### **TECHNIQUE**

6A00 flame arrestors are designed on the principle of "quenching gap". The crimped SST metal element allows vapor to pass through in order to allow a vessel to breathe, yet prevents the propagation of a flame from the exposed side to the protected side.

#### **CONSTRUCTION**

**Housing Material:** Carbon Steel, Stainless Steel.

**Trim Material:** Stainless Steel (1.4571) element. Standard element is suitable for explosion group IIA1 and IIA flammable gases and vapors. Elements for other gas groups are available upon request.

#### **SPECIAL FEATURES**

The Model 6A00 is designed, manufactured, and tested according to Directive 2014/34/EU (ATEX114) and ISO 16852.

The single element design is bidirectional and available for horizontal or vertical installations.

The maximum distance between flame arrestor and ignition source should not be more than 50 x the diameter of the connection size for most hydrocarbon gases.

**Easy Maintenance:** The Model 6A00 deflagration flame arrestor is a passive device with no moving parts. The flame cell element can be easily removed for inspection and cleaning in appropriate solvent solution.

**Sizes:** Units are available in DN80, 100, 125, 150, 200, 250, 300, 350, 400 (3", 4", 5", 6", 8", 10", 12", 14", 16") line sizes; thread connections according to ISO7/1, BS21 or ASME B1.20.1. Standard for flange connections to EN1092-1 PN10, ASME B16.5 150#RF or JIS B 2220 10K.

Алматы (7273)495-231  
Ангарск (3955)60-70-56  
Архангельск (8182)63-90-72  
Астрахань (8512)99-46-04  
Барнаул (3852)73-04-60  
Белгород (4722)40-23-64  
Благовещенск (4162)22-76-07  
Брянск (4832)59-03-52  
Владивосток (423)249-28-31  
Владикавказ (8672)28-90-48  
Владимир (4922)49-43-18  
Волгоград (844)278-03-48  
Вологда (8172)26-41-59  
Воронеж (473)204-51-73  
Екатеринбург (343)384-55-89

Иваново (4932)77-34-06  
Ижевск (3412)26-03-53  
Иркутск (395)279-98-46  
Казань (843)206-01-48  
Калининград (4012)72-03-81  
Калуга (4842)92-23-67  
Кемерово (3842)65-04-62  
Киров (8332)68-02-04  
Коломна (4966)23-41-49  
Кострома (4942)77-07-48  
Краснодар (861)203-40-90  
Красноярск (391)204-63-61  
Курск (4712)77-13-04  
Курган (3522)50-90-47  
Липецк (4742)52-20-81

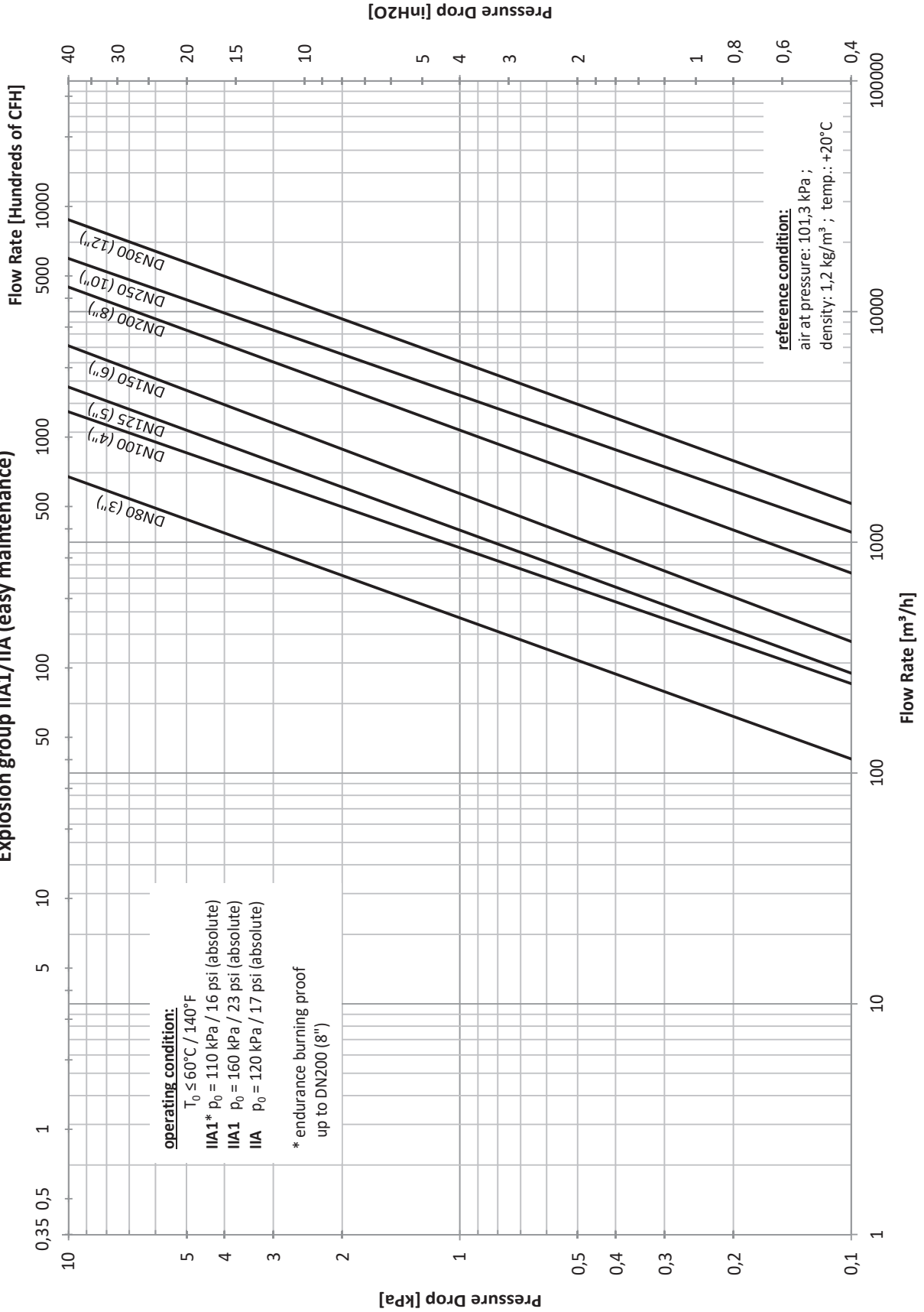
Магнитогорск (3519)55-03-13  
Москва (495)268-04-70  
Мурманск (8152)59-64-93  
Набережные Челны (8552)20-53-41  
Нижний Новгород (831)429-08-12  
Новокузнецк (3843)20-46-81  
Новосибирск (383)227-86-73  
Омск (3812)21-46-40  
Орел (4862)44-53-42  
Оренбург (3532)37-68-04  
Пенза (8412)22-31-16  
Петрозаводск (8142)55-98-37  
Псков (8112)59-10-37  
Пермь (342)205-81-47

Ростов-на-Дону (863)308-18-15  
Рязань (4912)46-61-64  
Самара (846)206-03-16  
Санкт-Петербург (812)309-46-40  
Саратов (845)249-38-78  
Севастополь (8692)22-31-93  
Саранск (8342)22-96-24  
Симферополь (3652)67-13-56  
Смоленск (4812)29-41-54  
Сочи (862)225-72-31  
Ставрополь (8652)20-65-13  
Сургут (3462)77-98-35  
Сыктывкар (8212)25-95-17  
Тамбов (4752)50-40-97  
Тверь (4822)63-31-35

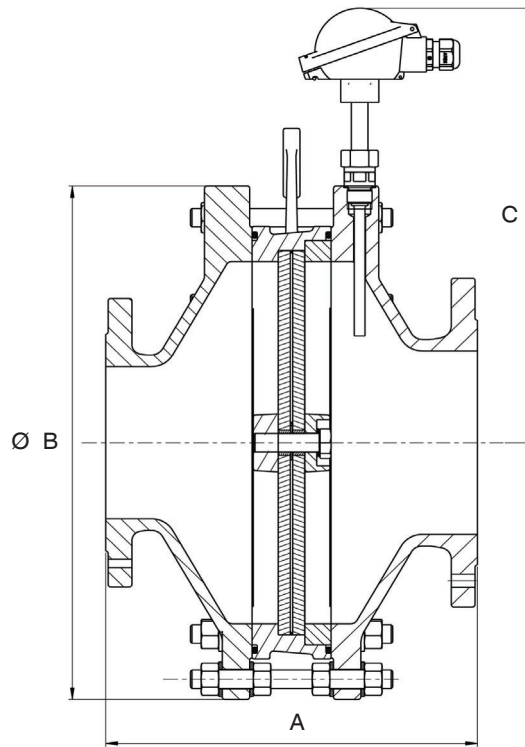
Тольятти (8482)63-91-07  
Томск (3822)98-41-53  
Тула (4872)33-79-87  
Тюмень (3452)66-21-18  
Ульяновск (8422)24-23-59  
Улан-Удэ (3012)59-97-51  
Уфа (347)229-48-12  
Хабаровск (4212)92-98-04  
Чебоксары (8352)28-53-07  
Челябинск (351)202-03-61  
Череповец (8422)49-02-64  
Чита (3022)38-34-83  
Якутск (4112)23-90-97  
Ярославль (4852)69-52-93

# Series 6A00 Flow Curves

Explosion group IIA1/IIA (easy maintenance)



## DIMENSIONS



Metric Units - mm				
SIZE	A		Ø B	C
	IIA1	IIA		
DIN, ASME (*)				
DN80	238		240	275
DN100	256		288	300
DN125 (**)	280		370	340
DN150	312		445	380
DN200	346		545	430
DN250	385		665	490
DN300	424		765	540
DN350	DIN	562	886	601
	ASME	682		
DN400	DIN	642	980	648
	ASME	742		

(\*) DIN (PN10) Flange, ASME 150RF Flange  
(\*\*) NOT available with ASME 150RF Flange

English Units - in				
SIZE	A		Ø B	C
	IIA1	IIA		
DIN, ASME (*)				
3"	9.4		9.4	10.8
4"	10.1		11.3	11.8
5" (**)	11.0		14.6	13.4
6"	12.3		17.5	15.0
8"	13.6		21.5	16.9
10"	15.1		26.2	19.3
12"	16.7		30.1	21.3
14"	DIN	22.1	34.9	23.7
	ASME	26.9		
16"	DIN	25.3	38.6	25.5
	ASME	29.2		

(\*) DIN (PN10) Flange, ASME 150RF Flange  
(\*\*) NOT available with ASME 150RF Flange

The contents of this publication are presented for informational purposes only, and while every effort has been made to ensure their accuracy, they are not to be construed as warranties or guarantees, express or implied, regarding the products or services described herein or their use or applicability. We reserve the right to modify or improve the designs or specifications of such product at any time without notice. Cashco, Inc. does not assume responsibility for the selection, use or maintenance of any product. Responsibility for proper selection, use and maintenance of any Cashco, Inc. product remains solely with the purchaser.

# 6A00 Series PRODUCT CODER

09/05/23

**6A**

POS  
3 & 4

POS  
5

**B**

POS  
7 & 8

POS  
9

POS  
10 & 11

POS  
12

POS  
13

POS  
14 & 15

POS  
16

**0**

POS  
18

POSITION 3 & 4 SIZE / EXPLOSION GROUP		
Size metric (in)	IIA1	IIA
	CODE	
DN80 (3")	1B	4Y
DN100 (4")	1K	56
DN125 (5")	VW	VX
DN150 (6")	1U	5E
DN200 (8")	22	5N
DN250 (10")	2A	5X
DN300 (12")	2H	64
DN350 (14")	2S	6C
DN400 (16")	30	6L

POSITION 5 OPERATING CONDITION				
Explosion Group	Size	p <sub>max</sub> absolute in kPa (psi)	T <sub>max</sub> in °C (°F)	CODE
IIA1	DN80 - 200	110 (16)	≤ 60 (140)	X *
	DN80 - 200	160 (23)	≤ 60 (140)	Y
	DN250 - 400			6
IIA	DN80 - 200	120 (17)	≤ 60 (140)	W
	DN250 - 400			2

\* Endurance burning proof available up to DN200 (8") Size.  
Consult factory for additional operating conditions.

POSITION 7 & 8 CASING / ELEMENT / RIM MATERIALS	
Material	CODE
Stainless Steel (1.4571) Size DN300 - 400 (12" - 16")	0D
Stainless Steel (1.4581) Sizes DN80 - 250 (3" - 10")	0P

POSITION 9 GASKET MATERIALS	
Material	CODE
NBR	1
FKM	2
EPDM	3
FKM/FEP seamless covered	4

POSITION 10 & 11 HOUSING MATERIALS / CONNECTION		
(Flanged) Sizes DN80 - 400 (3" - 16")	DIN (PN10)	ASME(150#RF) *
	CODE	
Carbon Steel Sizes DN350 & 400 (14" & 16")	17	19
Carbon Steel (1.0619) Sizes DN80 - 300 (3" - 12")	37	39
Stainless Steel (1.4571) Sizes DN350 & 400 (14" & 16")	87	89
Stainless Steel (1.4581) Sizes DN80 - 300 (3" - 12")	97	99

(\* ) Not Available in Size 5".

POSITION 12 PORTS	
Number / Location	CODE
One port G1/2" on each side Std for all explosion groups and sizes	2
Two ports G1/2" on each side	4

POSITION 13 MOUNTING KIT MAT'L FOR HOUSING	
Material	CODE
8.8 Zinc Plated (Standard CS)	1
A2 Stainless Steel (Standard SST)	2
A4 Stainless Steel	3

POSITION 14 & 15 TEMPERATURE SENSOR (PT100)		
Quantity	Ex ia 3-wire	Ex ia 3-wire plus transmitter
	CODE	
None	00	00
One	01	02

POSITION 16 NAME PLATE	
Material / Language	CODE
Alum / German	7
Alum / English	8

POSITION 18 PAINT	
Color	CODE
No Paint (Only Stainless Steel)	0
Epoxy (Standard) Signal Blue (RAL5005)	1
Epoxy Light Gray (RAL7035)	3
Hempadur (Off-Shore) Flame Red (RAL3000)	9

Алматы (7273)495-231  
Ангарск (3955)60-70-56  
Архангельск (8162)63-90-72  
Астрахань (8512)99-46-04  
Барнаул (3852)73-04-60  
Белгород (4722)40-23-64  
Благовещенск (4162)22-76-07  
Брянск (4832)59-03-52  
Владивосток (423)249-28-31  
Владикавказ (8672)28-90-48  
Владимир (4922)49-43-18  
Волгоград (844)278-03-48  
Вологда (8172)26-41-59  
Воронеж (473)204-51-73  
Екатеринбург (343)384-55-89

Иваново (4932)77-34-06  
Ижевск (3412)26-03-58  
Иркутск (395)279-98-46  
Казань (843)206-01-48  
Калининград (4012)72-03-81  
Калуга (4842)92-23-67  
Кемерово (3842)65-04-62  
Киров (8332)68-02-04  
Коломна (4966)23-41-49  
Кострома (4942)77-07-48  
Краснодар (861)203-40-90  
Красноярск (391)204-63-61  
Курск (4712)77-13-04  
Курган (3522)50-90-47  
Липецк (4742)52-20-81

Магнитогорск (3519)55-03-13  
Москва (495)268-04-70  
Мурманск (8152)59-64-93  
Набережные Челны (8652)20-53-41  
Нижний Новгород (831)429-08-12  
Новокузнецк (3843)20-46-81  
Ноябрьск (3496)41-32-12  
Новосибирск (383)227-86-73  
Омск (3812)21-46-40  
Орел (4862)44-53-42  
Оренбург (352)37-68-04  
Пенза (8412)22-31-16  
Петрозаводск (8142)55-98-37  
Псков (8112)59-10-37  
Пермь (342)205-81-47

Ростов-на-Дону (863)308-18-15  
Рязань (4912)46-61-64  
Самара (846)206-03-16  
Санкт-Петербург (812)309-46-40  
Саратов (845)249-38-78  
Севастополь (8692)22-31-93  
Саранск (8342)22-96-24  
Симферополь (3652)67-13-56  
Смоленск (4812)29-41-54  
Сочи (862)225-72-31  
Ставрополь (8652)20-65-13  
Сургут (3462)77-98-35  
Сыктывкар (8212)25-95-17  
Тамбов (4752)50-40-97  
Тверь (4822)63-31-35

Тольятти (8482)63-91-07  
Томск (3822)98-41-53  
Тула (4872)33-79-87  
Тюмень (3452)66-21-18  
Ульяновск (8422)24-23-69  
Улан-Удэ (3012)59-97-51  
Уфа (347)229-48-12  
Хабаровск (4212)92-98-04  
Чебоксары (8352)28-53-07  
Челябинск (351)202-03-61  
Череповец (8202)49-02-64  
Чита (3022)38-34-83  
Якутск (4112)23-90-97  
Ярославль (4852)69-52-93

Россия +7(495)268-04-70

Казахстан +7(7172)727-132

Киргизия +996(312)96-26-47

<https://cashco.nt-rt.ru/> || [coc@nt-rt.ru](mailto:coc@nt-rt.ru)