

# MODEL 2100

## GAUGE HATCH



**MODEL 2100**  
Gauge Hatch  
(Non-Locking Design Shown)

### OVERVIEW

The Model 2100 provides ready access to storage tanks for gauging or obtaining samples. The gauge hatch may also provide additional pressure relief as a supplement for normal or emergency venting. These gauge hatches are intended for use where the fire protection afforded by flame arresters is not considered necessary.

### FEATURES

#### Easy Inspection, Installation, and Maintenance:

Simplistic design and light weight construction permits easy, convenient handling for inspection, installation and maintenance.

Standard construction has non-locking hatch and includes a thermometer hook and gauge marker.

Special locking design available with a Knob Latch construction.

### TECHNIQUE

Gauge Hatches consist of a hinged swiveling and self-closing cap which sits on an a flanged base. Placing the foot on the serrated treadle opens the cover up to 90°, permitting inspection and easy entry for gauging or sampling. Removing foot from the treadle returns cover to a closed position.



### LINE SIZES AVAILABLE

4" (DN100), 6" (DN150), 8" (DN200),  
10" (DN250), 12" (DN300)



### END CONNECTIONS

FLANGED



### COMMON APPLICATIONS

ATMOSPHERIC & LOW-PRESSURE TANKS



### DESIGN PRESSURE

MULTIPLE SET PRESSURE  
RANGES AVAILABLE

Алматы (7273)495-231  
Ангарск (3955)60-70-56  
Архангельск (8182)63-90-72  
Астрахань (8512)99-46-04  
Барнаул (3852)73-04-60  
Белгород (4722)40-23-64  
Благовещенск (4162)22-76-07  
Брянск (4832)59-03-52  
Благовосток (423)249-28-31  
Бладилавказ (8672)28-90-48  
Владимир (4922)49-43-18  
Волгоград (844)278-03-48  
Вологда (8172)26-41-59  
Воронеж (473)204-51-73  
Екатеринбург (343)384-55-89

Иваново (4932)77-34-06  
Ижевск (3412)26-03-58  
Иркутск (395)279-98-46  
Казань (843)206-01-48  
Калининград (4012)72-03-81  
Калуга (4842)92-23-67  
Кемерово (3842)65-04-62  
Киров (8332)68-02-04  
Коломна (4966)23-41-49  
Кострома (4942)77-07-48  
Краснодар (861)203-40-90  
Красноярск (391)204-63-61  
Курск (4712)77-13-04  
Курган (3522)50-90-47  
Липецк (4742)52-20-81

Магнитогорск (3519)55-03-13  
Москва (495)268-04-70  
Мурманск (8152)59-64-93  
Набережные Челны (8552)20-53-41  
Нижний Новгород (831)429-08-12  
Новокузнецк (3843)20-46-81  
Ноябрьск (3496)41-32-12  
Новосибирск (383)227-86-73  
Омск (3812)21-46-40  
Орел (4862)44-53-42  
Оренбург (3532)37-68-04  
Пенза (8412)22-31-16  
Петрозаводск (8142)55-98-37  
Псков (8112)59-10-37  
Пермь (342)205-81-47

Ростов-на-Дону (863)308-18-15  
Рязань (4912)46-61-64  
Самара (846)206-03-16  
Санкт-Петербург (812)309-46-40  
Саратов (845)249-38-78  
Севастополь (8692)22-31-93  
Саранск (8342)22-96-24  
Симферополь (3652)67-13-56  
Смоленск (4812)29-41-54  
Сочи (862)225-72-31  
Ставрополь (8652)20-65-13  
Сургут (3462)77-98-35  
Сыктывкар (8212)25-95-17  
Тамбов (4752)50-40-97  
Тверь (4822)63-31-35

Тольятти (8482)63-91-07  
Томск (3822)98-41-53  
Тула (4872)33-79-87  
Тюмень (3452)66-21-18  
Ульяновск (8422)24-23-59  
Улан-Удэ (3012)59-97-51  
Уфа (347)229-48-12  
Хабаровск (4212)92-98-04  
Челябинск (351)202-03-61  
Череповец (8202)49-02-64  
Чита (3022)38-34-83  
Якутск (4112)23-90-97  
Ярославль (4852)69-52-93

Россия +7(495)268-04-70

Казахстан +7(7172)727-132

Киргизия +996(312)96-26-47

**CONSTRUCTION**

**Housing / Pallet Material:** Available in Aluminum, Carbon Steel, or 316 Stainless Steel.  
 Flange base is flat face and is designed to mate with standard ASME 150# flange.

**Available Sizes:** 4", 6", 8", 10" and 12"

**Pallet Diaphragm Material:** FEP TFE (std), Buna-N, EPDM or FKM.

**PAINT**

**Standard:** Exterior coating will be a combination of Cashco Paint Specs #S-1777 epoxy and #S-1743 powder coated.  
 Fasteners, seat surface - corrosion resistant parts excluded.

Maximum Allowable Working Pressure		
Size	Body Material	psig
4" - 10"	Alum, CS, SST	5
12"	Alum	3
12"	CS, SST	5

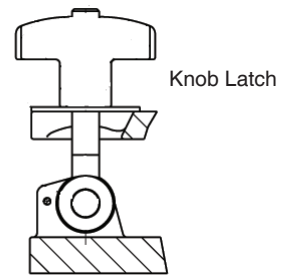
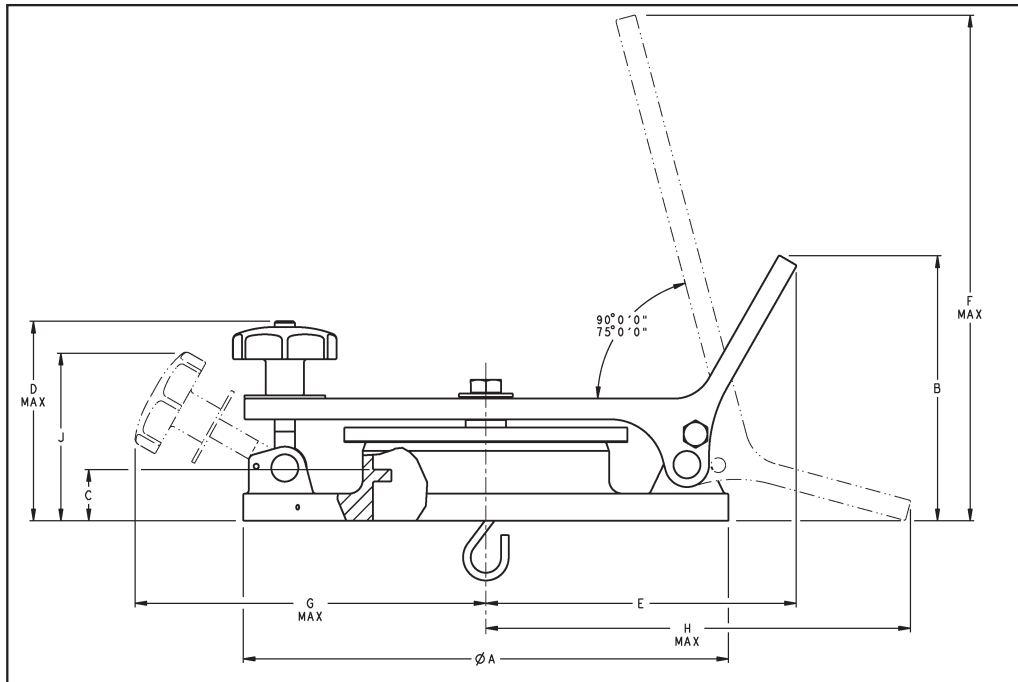
**PAINT**

**Standard:** Exterior coating will be a combination of Cashco Paint Specs #S-1777 epoxy and #S-1743 powder coated.  
 Fasteners, seat surface - corrosion resistant parts excluded.

Standard Non-Locking Design Minimum and Maximum Set Point Pressure			
Size	Body Material	Min. oz/in <sup>2</sup>	Max oz/in <sup>2</sup>
4"	Alum	1.13	6.75
	CS, SST	3.10	8.75
6"	Alum	0.89	3.75
	CS, SST	2.52	5.25
8"	Alum	0.88	2.50
	CS, SST	2.54	4.75
10"	Alum	0.79	1.75
	CS, SST	2.30	3.25
12"	Alum	0.74	1.50
	CS, SST	2.16	3.00

Additional loading weight maybe added to cover of Non-Locking Design for higher set point pressures.

**DIMENSIONS & WEIGHTS**



DIMENSIONS - inches										Weights - lbs.	
SIZE	ØA	B	C	D MAX	E	F MAX	G MAX	H MAX	J	ALUM	CS/SST
4"	Ø9.00	4.88	0.94	4.00	5.78	9.28	6.56	7.91	3.25	5	12
6"	Ø11.00				6.78	11.25	7.56	8.91		6	16
8"	Ø13.50				8.03	13.62	8.81	10.16		9	24
10"	Ø16.00				9.28	16.00	10.06	11.41		11	31
12"	Ø19.00				10.78	18.97	11.56	12.91		15	43

# 2100 Series PRODUCT CODE

02/07/20

Last 6 Characters reserved for SPQ drawing numbers assigned by Cashco Inc.  
(Format as - # # # # # #)



POSITION 3 - LATCH	
Mechanism	CODE
None *	0
Knob	2
* Non-Locking	

POSITION 4 - SIZE	
Size	CODE
4"	4
6"	6
8"	8
10"	A
12"	B

POSITION 5 - HOUSING / PALLET	
Material	CODE
Alum/Alum	A
CS/CS	C
SST/SST	S

POSITION 7 - DIAPHRAGM	
Material	CODE
FEP-TFE (Std)	A
Buna-N	B
EPDM	D
FKM	F

POSITION 10 - WEIGHTS	
Loading Weight	CODE
None (Std)	0
SST *	S
* For Set Point Pressures above Min Set Point - Non-Locking Design only.	

**\* For information on ATEX see pages 5 & 6 on the IOM.**

Алматы (7273)495-231  
Ангарск (3955)60-70-56  
Архангельск (8182)63-90-72  
Астрахань (8512)99-46-04  
Барнаул (3852)73-04-60  
Белгород (4722)40-23-64  
Благовещенск (4162)22-76-07  
Брянск (4832)59-03-52  
Владивосток (423)249-28-31  
Владикавказ (8672)28-90-48  
Владимир (4922)49-43-18  
Волгоград (844)278-03-48  
Вологда (8172)26-41-59  
Воронеж (473)204-51-73  
Екатеринбург (343)384-55-89

Иваново (4932)77-34-06  
Ижевск (3412)26-03-58  
Иркутск (395)279-98-46  
Казань (843)206-01-48  
Калининград (4012)72-03-81  
Калуга (4842)92-23-67  
Кемерово (3842)65-04-62  
Киров (8332)68-02-04  
Коломна (4966)23-41-49  
Кострома (4942)77-07-48  
Краснодар (861)203-40-90  
Красноярск (391)204-63-61  
Курск (4712)77-13-04  
Курган (3522)50-90-47  
Липецк (4742)52-20-81

Магнитогорск (3519)55-03-13  
Москва (495)268-04-70  
Мурманск (8152)59-64-93  
Набережные Челны (8552)20-53-41  
Нижегород (831)429-08-12  
Новокузнецк (3843)20-46-81  
Ноябрьск (3496)41-32-12  
Новосибирск (383)227-86-73  
Омск (3812)21-46-40  
Орел (4862)44-53-42  
Оренбург (3532)37-68-04  
Пенза (8412)22-31-16  
Петрозаводск (8142)55-98-37  
Псков (8112)59-10-37  
Пермь (342)205-81-47

Ростов-на-Дону (863)308-18-15  
Рязань (4912)46-61-64  
Самара (846)206-03-16  
Санкт-Петербург (812)309-46-40  
Саратов (845)249-38-78  
Севастополь (8692)22-31-93  
Саранск (8342)22-96-24  
Симферополь (3652)67-13-56  
Смоленск (4812)29-41-54  
Сочи (862)225-72-31  
Ставрополь (8652)20-65-13  
Сургут (3462)77-98-35  
Сыктывкар (8212)25-95-17  
Тамбов (4752)50-40-97  
Тверь (4822)63-31-35

Тольятти (8482)63-91-07  
Томск (3822)98-41-53  
Тула (4872)33-79-87  
Тюмень (3452)66-21-18  
Ульяновск (8422)24-23-59  
Улан-Уда (3012)59-97-51  
Уфа (347)229-48-12  
Хабаровск (4212)92-98-04  
Чебоксары (8352)28-53-07  
Челябинск (351)202-03-61  
Череповец (8202)49-02-64  
Чита (3022)38-34-83  
Якутск (4112)23-90-97  
Ярославль (4852)69-52-93

Россия +7(495)268-04-70

Казахстан +7(7172)727-132

Киргизия +996(312)96-26-47

<https://cashco.nt-rt.ru/> || [coc@nt-rt.ru](mailto:coc@nt-rt.ru)