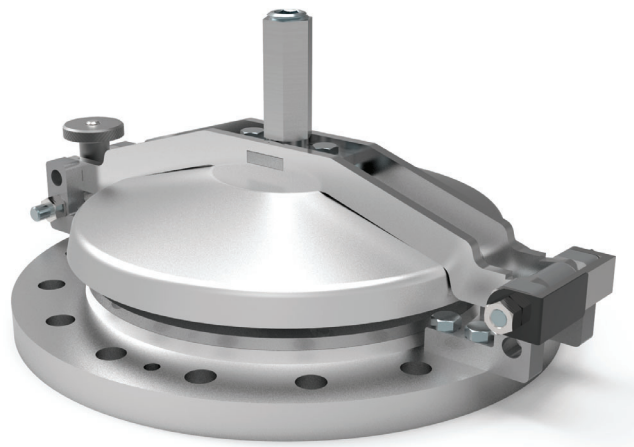


MODEL 2199

PRESSURE/VACUUM THIEF HATCH & COMBO. GAUGE HATCH



MODEL 2199

OVERVIEW

The Model 2199 pressure/vacuum relief hatch provides over pressure relief beyond that furnished by the normal pressure vent for atmospheric and low pressure tanks. The Model 2199 can also be used as a spring operated conservation vent and tank hatch that provides convenient access for tank cleaning, inspection and repair.

SPECIAL FEATURES

Easy Inspection: The 2199 vent is low-profile in design, and light weight for easy, convenient handling, inspection, installation, and maintenance. The pressure pallet assembly can be opened to allow unobstructed access to the tank for inspection, repairs, and gauge reading. No adjustment is required after cleaning or maintenance to establish set point.

Maintains Accurate Pressure Settings: Controlled design for an accurate, repeatable set point.

Shutoff: Set point exceeds all 2016 EPA Emissions Requirements.

TECHNIQUE

When the tank is not in a venting condition, the pressure pallet assembly provides a vapor-tight seal. If the tank out breathing requirements exceeds the capability of the normal pressure relief vent the pallet assembly lifts off the seat to allow escape of vapors, preventing damage to the tank due to excess pressure. When the over pressure is relieved the pallet assembly will reseal to again provide a vapor-tight seal.

APPLICATIONS

Used primarily for upstream oil and gases on 12F tanks. Used in all types of fluids, including gases, sour gas, industrial gases, chemicals, as well as the common industrial fluids - water, oil, and compressed air.



LINE SIZES AVAILABLE
8" (DN200)



END CONNECTIONS
FLANGED



COMMON APPLICATIONS
ATMOSPHERIC & LOW-PRESSURE TANKS



DESIGN PRESSURE
16, 12, 8, 4 oz/in²

Алматы (7273)495-231
Ангарск (3955)60-70-56
Архангельск (8182)63-90-72
Астрахань (8512)99-46-04
Барнаул (3852)73-04-60
Белгород (4722)40-23-64
Благовещенск (4162)22-76-07
Брянск (4832)59-03-52
Владивосток (423)249-28-31
Владикавказ (8672)28-90-48
Владимир (4922)49-43-18
Волгоград (844)278-03-48
Вологда (8172)26-41-59
Воронеж (473)204-51-73
Екатеринбург (343)384-55-89

Иваново (4932)77-34-06
Ижевск (3412)26-03-58
Иркутск (395)279-98-46
Казань (843)206-01-48
Калининград (4012)72-03-81
Калуга (4842)92-23-67
Кемерово (3842)65-04-62
Киров (8332)68-02-04
Коломна (4966)23-41-49
Кострома (4942)77-07-48
Краснодар (861)203-40-90
Красноярск (391)204-63-61
Курск (4712)77-13-04
Курган (3522)50-90-47
Липецк (4742)52-20-81

Магнитогорск (3519)55-03-13
Москва (495)268-04-70
Мурманск (8152)59-64-93
Набережные Челны (8552)20-53-41
Нижний Новгород (831)429-08-12
Новокузнецк (3843)20-46-81
Новый Уренгой (3496)41-32-12
Новосибирск (383)227-86-73
Омск (3812)21-46-40
Орел (4862)44-53-42
Оренбург (3532)37-68-04
Пенза (8412)22-31-16
Петрозаводск (8142)55-98-37
Псков (8112)59-10-37
Пермь (342)205-81-47

Ростов-на-Дону (863)308-18-15
Рязань (4912)46-61-64
Самара (846)206-03-16
Санкт-Петербург (812)309-46-40
Саратов (845)249-38-78
Севастополь (8692)22-31-93
Саранск (8342)22-96-24
Симферополь (3652)67-13-56
Смоленск (4812)29-41-54
Сочи (862)225-72-31
Ставрополь (8652)20-65-13
Сургут (3462)77-98-35
Сыктывкар (8212)25-95-17
Тамбов (4752)50-40-97
Тверь (4822)63-31-35

Тольятти (8482)63-91-07
Томск (3822)98-41-53
Тула (4872)33-79-87
Тюмень (3452)66-21-18
Ульяновск (8422)24-23-59
Улан-Удэ (3012)59-97-51
Уфа (347)229-48-12
Хабаровск (4212)92-98-04
Чебоксары (8352)28-53-07
Челябинск (351)202-03-61
Череповец (8202)49-02-64
Чита (3022)38-34-83
Якутск (4112)23-90-97
Ярославль (4852)69-52-93

Россия +7(495)268-04-70

Казахстан +7(7172)727-132

Киргизия +996(312)96-26-47

CONSTRUCTION

Standard aluminum flange base is machined from premium billet stock to accommodate a variety of set-ups. Also available in stainless steel.

Seal Material: FKM (Viton), Buna-N

This unit comes standard with ANSI 150# FF or API 12D/12F/12P bolt pattern for easy bubble tight replacement of old tank hatches.

STANDARD/GENERAL SPECIFICATIONS

Size: 8"

Springs: Vacuum Spring Range set at 0.4 oz/sq.in²

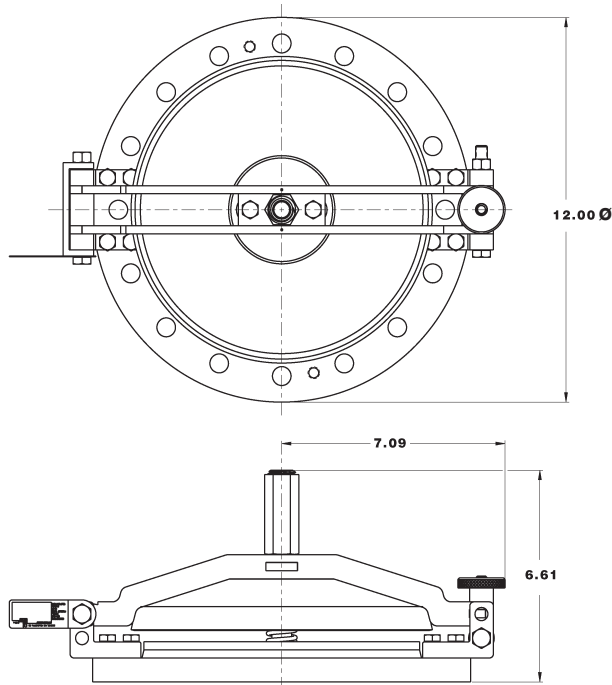
MATERIALS OF CONSTRUCTION	
Flange Base	Pressure/ Vacuum Pallets
Aluminum	Aluminum
SST	SST

Pressure Settings: 16 oz/in² as standard
Available set points 4, 8, and 12 oz/in²

Temperature Limits: Buna-N (Nitrile-NBR):
-30° to 250° F (-34° to 121°C)

Fluorocarbon Elastomer – (FKM):
-40° to 400° F (-26° to 204°C)

DIMENSIONS & WEIGHTS



Model 2199

WEIGHTS - lbs		
	Without Weather hood	With Weather hood
Gauge Hatch	8.44	9.88
Pressure Only	8.58	10.02
Pressure-Vac	--	10.37

The contents of this publication are presented for informational purposes only, and while every effort has been made to ensure their accuracy, they are not to be construed as warranties or guarantees, express or implied, regarding the products or services described herein or their use or applicability. We reserve the right to modify or improve the designs or specifications of such product at any time without notice. Cashco, Inc. does not assume responsibility for the selection, use or maintenance of any product. Responsibility for proper selection, use and maintenance of any Cashco, Inc. product remains solely with the purchaser.

2199 Series PRODUCT CODE 02/07/20

Last 6 Characters reserved for SPQ drawing numbers assigned by Cashco Inc.
(Format as - # # # # # #)



POSITION 3 - FLANGE - BOLTING PATTERN		
To Specification	Aluminum CODE	SST CODE
API 12D/12F/12P	F	S
ANSI 150# FF	A	T

POSITION 4 - SIZE		
Inch	(DN)	CODE
8"	(200)	8

POSITION 5 - WEATHERHOOD	
Options	CODE
None	0
Weatherhood	1

POSITION 7 - O-RING MATERIAL	
Material	CODE
Buna-N	A
FKM (Std)	B

POSITION 8 - PRESSURE SET POINT	
SET POINT RANGE - OZ/ IN²	CODE
Hatch only	0
4	1
8	2
12	3
16 (Std)	4

POSITION 9 - FUNCTION	
Description	CODE
Hatch Only	0
Pressure Relief	1
Pressure/Vacuum Relief *	2
* Weatherhood Required	

POSITION 11 - LIMIT SWITCH	
Options	CODE
None	0
Includes Limit Switch	1

*** For information on ATEX see pages 6 & 7 on the IOM.**

Алматы (7273)495-231
Ангарск (3955)60-70-56
Архангельск (8182)63-90-72
Астрахань (8512)99-46-04
Барнаул (3852)73-04-60
Белгород (4722)40-23-64
Благовещенск (4162)22-76-07
Брянск (4832)59-03-52
Владивосток (423)249-28-31
Владикавказ (8672)28-90-48
Владимир (4922)49-43-18
Волгоград (844)278-03-48
Вологда (8172)26-41-59
Воронеж (473)204-51-73
Екатеринбург (343)384-55-89

Иваново (4932)77-34-06
Ижевск (3412)26-03-58
Иркутск (395)279-98-46
Казань (843)206-01-48
Калининград (4012)72-03-81
Калуга (4842)92-23-67
Кемерово (3842)65-04-62
Киров (8332)68-02-04
Колומна (4966)23-41-49
Кострома (4942)77-07-48
Краснодар (861)203-40-90
Красноярск (391)204-63-61
Курск (4712)77-13-04
Курган (3522)50-90-47
Липецк (4742)52-20-81

Магнитогорск (3519)55-03-13
Москва (495)268-04-70
Мурманск (8152)59-64-93
Набережные Челны (8552)20-53-41
Нижний Новгород (831)429-08-12
Новокузнецк (3843)20-46-81
Ноябрьск (3496)41-32-12
Новосибирск (383)227-86-73
Омск (3812)21-46-40
Орел (4862)44-53-42
Оренбург (3532)37-68-04
Пенза (8412)22-31-16
Петрозаводск (8142)55-98-37
Псков (8112)59-10-37
Пермь (342)205-81-47

Ростов-на-Дону (863)308-18-15
Рязань (4912)46-61-64
Самара (846)206-03-16
Санкт-Петербург (812)309-46-40
Саратов (845)249-38-78
Севастополь (8692)22-31-93
Саранск (8342)22-96-24
Симферополь (3652)67-13-56
Смоленск (4812)29-41-54
Сочи (862)225-72-31
Ставрополь (8652)20-65-13
Сургут (3462)77-98-35
Сыктывкар (8212)25-95-17
Тамбов (4752)50-40-97
Тверь (4822)63-31-35

Тольятти (8482)63-91-07
Томск (3822)98-41-53
Тула (4872)33-79-87
Тюмень (3452)66-21-18
Ульяновск (8422)24-23-59
Улан-Удэ (3012)59-97-51
Уфа (347)229-48-12
Хабаровск (4212)92-98-04
Чебоксары (8352)28-53-07
Череповец (351)202-03-61
Череповец (8202)49-02-64
Чита (3022)38-34-83
Якутск (4112)23-90-97
Ярославль (4852)69-52-93

Россия +7(495)268-04-70

Казахстан +7(7172)727-132

Киргизия +996(312)96-26-47

<https://cashco.nt-rt.ru/> || coc@nt-rt.ru