



ISO Registered Company

MODEL P5

PISTON SENSING SINGLE STAGE PRESSURE REDUCING REGULATOR



MODEL P5

OVERVIEW

The Model P5 is designed for gases and liquids with inlet pressures up to 3600 psig (248 Barg). Standard adjustable outlet ranges from 50-1500 psig (3.4-103 Barg). Flow coefficient of 0.06. This general purpose use regulator can be ordered with a variety of options to meet your system demands.

FEATURES

- General Purpose
- Non-venting Standard
- Compact & Lightweight
- Panel or Surface Mounting
- Safe & Reliable Piston Design

TYPICAL APPLICATIONS

- Injection Moulding Equipment
- High Pressure Gas Booster Systems
- Gas Cabinets
- Research & Development Laboratories

FUNCTIONAL PERFORMANCE

Design Proof Pressure: 150% of Max Operating Pressure
 Pressure: 5,400 psig (372.3 Barg)
 Internal Volume: 2.5 cc
 Seat Leakage: Bubble Tight



LINE SIZES AVAILABLE

1/4" (DN8), 3/8" (DN10), 1/2" (DN15)



END CONNECTIONS

FNPT



COMMON APPLICATIONS

INJECTION MOLDING EQUIPMENT, HIGH PRESSURE GAS BOOSTER SYSTEMS, GAS CABINETS, RESEARCH & DEVELOPMENT LABORATORIES



DESIGN PRESSURE

INLET: UP TO 3,600 psig (248.2 Barg)
OUTLET: 50-1500 psig (3.4-103 Barg)

Алматы (7273)495-231
 Ангарск (3955)60-70-56
 Архангельск (8182)63-90-72
 Астрахань (8512)99-46-04
 Барнаул (3852)73-04-60
 Белгород (4722)40-23-64
 Благовещенск (4162)22-76-07
 Брянск (4832)59-03-52
 Владивосток (423)249-28-31
 Владикавказ (8672)28-90-48
 Владимир (4922)49-43-18
 Волгоград (844)278-03-48
 Вологда (8172)26-41-59
 Воронеж (473)204-51-73
 Екатеринбург (343)384-55-89

Иваново (4932)77-34-06
 Ижевск (3412)26-03-58
 Иркутск (395)279-98-46
 Казань (843)206-01-48
 Калининград (4012)72-03-81
 Калуга (4842)92-23-67
 Кемерово (3642)65-04-62
 Киров (8332)68-02-04
 Коломна (4966)23-41-49
 Кострома (4942)77-07-48
 Краснодар (861)203-40-90
 Красноярск (391)204-63-61
 Курск (4712)77-13-04
 Курган (3522)50-90-47
 Липецк (4742)52-20-81

Магнитогорск (3519)55-03-13
 Москва (495)268-04-70
 Мурманск (8152)59-64-93
 Набережные Челны (8552)20-53-41
 Нижний Новгород (831)429-08-12
 Новокузнецк (3843)20-46-81
 Ноябрьск (3496)41-32-12
 Новосибирск (383)227-86-73
 Омск (3812)21-46-40
 Орел (4862)44-53-42
 Оренбург (3532)37-68-04
 Пенза (8412)22-31-16
 Петрозаводск (8142)55-98-37
 Пермь (812)59-10-37
 Пермь (342)205-81-47

Ростов-на-Дону (863)308-18-15
 Рязань (4912)46-61-64
 Самара (846)206-03-16
 Санкт-Петербург (812)309-46-40
 Саратов (845)249-38-78
 Севастополь (8692)22-31-93
 Саранск (8342)22-96-24
 Симферополь (3652)67-13-56
 Смоленск (4812)29-41-54
 Сочи (862)225-72-31
 Ставрополь (8652)20-65-13
 Сургут (3462)77-98-35
 Сыктывкар (8212)25-95-17
 Тамбов (4762)50-40-97
 Тверь (4822)63-31-35

Тольятти (8482)63-91-07
 Томск (3822)98-41-53
 Тула (4872)33-79-87
 Тюмень (3452)66-21-18
 Ульяновск (8422)24-23-59
 Улан-Удэ (3012)59-97-51
 Уфа (347)229-48-12
 Хабаровск (4212)92-98-04
 Чебоксары (8352)28-53-07
 Челябинск (351)202-03-61
 Черновцы (8202)49-02-64
 Чита (3022)38-34-83
 Якутск (4112)23-90-97
 Ярославль (4852)69-52-93

Россия +7(495)268-04-70

Казахстан +7(7172)727-132

Киргизия +996(312)96-26-47

GENERAL SPECIFICATIONS

Inlet & Outlet Port Size:	1/4", 3/8" & 1/2" (DN8, DN10 & DN15)	Wetted Material:	316L SST Piston, Seat Retainer & Poppet, Inconel X-750 Spring
Maximum Inlet Pressure:	3,600 psig (248.2 Barg)	Temp. Limits:	PCTFE -45 to 185°F (-42.7 to 85°C) Buna-N -55 to 225°F (-48.2 to 107°C) FKM -20 to 300°F (-28.9 to 149°C)
Outlet Pressure:	50-1500 psig (3.4-103 Barg)	Operating Temp. Range:	-20 to 300°F (-28.9 to 149°C)
Body End Connections:	FNPT	Composite Knob: (Standard)	-50 to 200°F (-45.6 to 93°C) For temperatures outside (Std.) knob range see Option for Colored Knobs.
Body & Spring Chamber Material:	316L SST/316 SST		

OPTIONS

NACE Construction - (3 or 4) in Position 6. - Internal wetted portions meet NACE standard MR0175, when the exterior of the regulator is not directly exposed to a sour gas environment, buried, insulated or otherwise denied direct atmospheric exposure. 316L SST Piston, 316L SST Seat Retainer, Inconel X-750 Poppet Spring.

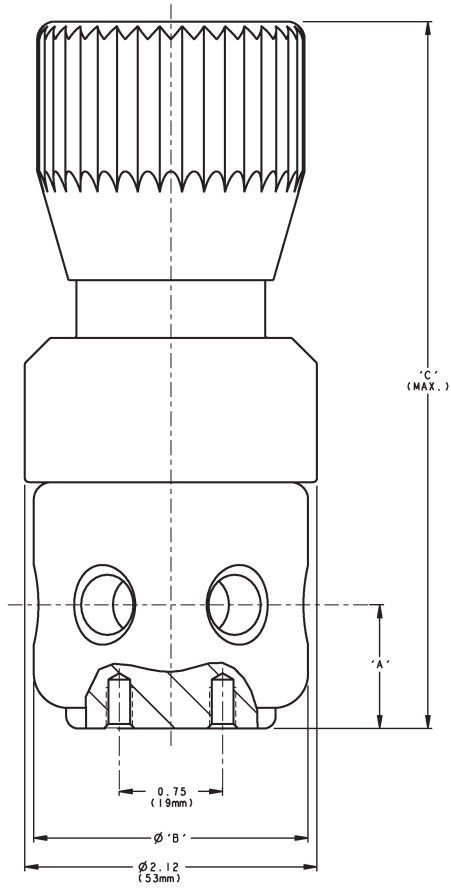
Mounting Bracket - (5) in Position 14. - The mounting bracket is a base, or step type. The material is 303 stainless steel. The bracket mounts to the back of the single stage, and back pressure regulators, via 10/32 screws.

Panel Mount - (C) in Position 14. - The panel mount feature requires a panel minimum of 11 gauge (.12) thick with a 1-3/8" hole cut out, complete with a threaded spring housing, and a panel mount ring to secure the regulator.

Colored Knobs - (2, 8 and W) in Position 15. - The control knob is anodized aluminum either in black, blue, green or red, compared to the standard red composite knob. This allows for color coding of processes. Temperature range: -55 to 300°F (-45.6 to 149 °C).

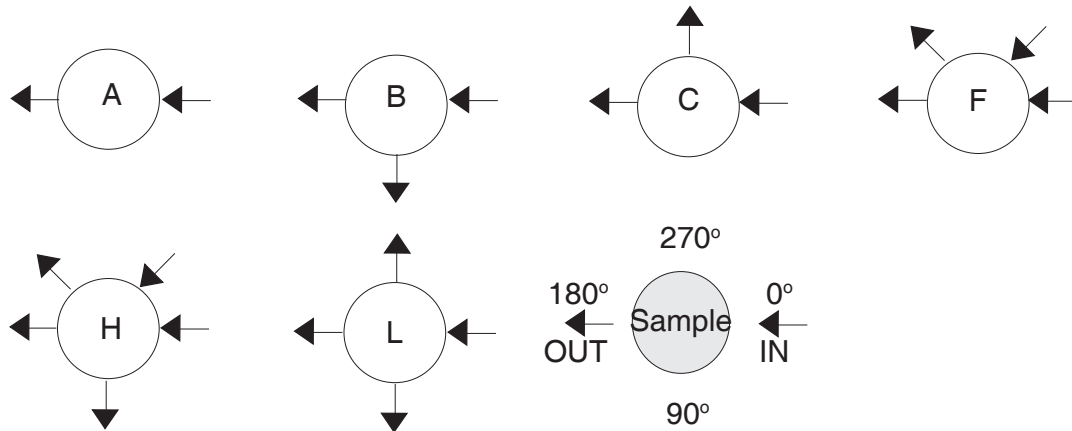
Cleaned per Spec. #S-1542 - (N) in Position 17. - Higher cleaning level than standard commercial cleaning. NOT suitable for Oxygen Service.

DIMENSIONS



English Units In. & lbs.				
Size	A	B	C	Wt
1/4" & 3/8"	.90	2.00	5.13	2.2
1/2"	1.15	2.48	5.38	2.2
Metric Units mm & kg				
DN8 & DN10	23	50	130	1.0
DN15	29	63	137	1.0

Porting Configuration Guide



The contents of this publication are presented for informational purposes only, and while every effort has been made to ensure their accuracy, they are not to be construed as warranties or guarantees, express or implied, regarding the products or services described herein or their use or applicability. We reserve the right to modify or improve the designs or specifications of such product at any time without notice. Cashco, Inc. does not assume responsibility for the selection, use or maintenance of any product. Responsibility for proper selection, use and maintenance of any Cashco, Inc. product remains solely with the purchaser.

MODEL P5 PRODUCT CODER 02/07/20
(COMPOSITE RED KNOB STANDARD)

An "X" in POS 12 followed by a 5-digit control number overrides remaining selections.

P5 POS 3 — **S** POS 6 POS 7 **7** — **1A** POS 12 POS 13 POS 14 POS 15 **0** POS 17 **A**

POSITION 3 - BODY SIZE / Cv		
Size	Cv	CODE
1/4" (DN8)	0.06	2
3/8" (DN10)	0.06	5
1/2" (DN15)	0.06	8

POSITION 6 - STANDARD TRIM MATERIALS			
Piston, Seat Retainer, Poppet, Poppet Spring	O-ring Material	Std	NACE
		CODE	CODE
316L SST, 316L SST, 316L SST, Inconel X-750	FKM (std) *	1	3
	Buna-N **	2	4

* FKM -20 to 300°F
 ** Buna-N -55 to 225°F

POSITION 7 - PORTING CONFIGURATION	
Description	CODE
See Porting Guide	**** A
	** B
	** C
	*** F
	*** H
	** L

POSITION 12 - OUTLET GAUGE (See "NOTE" - Position 7)		
Psig (Barg)	CODE	
0 - 2000 (0 - 137.9)	1	
No Outlet Gauge	0	
For Special Construction Contact Cashco for Special Product Code	X	

POSITION 13 - INLET GAUGE (See "NOTE" - Position 7)		
Psig (Barg)	CODE	
0 - 60 (0 - 4.1)	C	
0 - 100 (0 - 6.9)	D	
0 - 160 (0 - 11.0)	E	
0 - 300 (0 - 20.7)	F	
0 - 600 (0 - 41.4)	G	
0 - 1000 (0 - 69.0)	H	
0 - 2000 (0 - 137.9)	I	
0 - 3000 (0 - 206.9)	J	
0 - 5000 (0 - 344.9)	K	
No Inlet Gauge	0	

NOTE: When selecting from Positions 12 & 13, review following and select appropriate configuration code from above.

** Outlet gauge port only
 *** Inlet & outlet gauge ports
 **** No gauge ports available

POSITION 14 - OPTIONS			
OPTIONS	CODE	OPTIONS	CODE
No Option	0	Panel Mount.	C
Mounting Bracket.	5		

POSITION 15 - OPTIONS			
OPTIONS	CODE	OPTIONS	CODE
No Option	0	Blue Knob.	8
Black Knob.	2	Red Knob.	W

*** For information on ATEX see pages 8 & 9 on the IOM.**

POSITION 17 - OPTIONS	
OPTIONS	CODE
No Option	0
* Special Cleaning: Per Spec #S-1542.	N
* NOT suitable for Oxygen Service.	

Алматы (7273)495-231
 Ангарск (3955)60-70-56
 Архангельск (8182)63-90-72
 Астрахань (8512)99-46-04
 Барнаул (3852)73-04-60
 Белгород (4722)40-23-64
 Благовещенск (4162)22-76-07
 Брянск (4832)59-03-52
 Владивосток (423)249-28-31
 Владимир (4922)49-43-18
 Волгоград (844)278-03-48
 Вологда (8172)26-41-59
 Воронеж (473)204-51-73
 Екатеринбург (343)384-55-89

Иваново (4932)77-34-06
 Ижевск (3412)26-03-58
 Иркутск (395)279-98-46
 Казань (843)206-01-48
 Калининград (4012)72-03-81
 Калуга (4842)92-23-67
 Кемерово (3842)65-04-62
 Киров (8332)68-02-04
 Коломна (4966)23-41-49
 Кострома (4942)77-07-48
 Краснодар (861)203-40-90
 Красноярск (391)204-63-61
 Курск (4712)77-13-04
 Курган (3522)50-90-47
 Липецк (4742)52-20-81

Магнитогорск (3519)55-03-13
 Москва (495)268-04-70
 Мурманск (8152)59-64-93
 Набережные Челны (8552)20-53-41
 Нижний Новгород (831)429-08-12
 Новокузнецк (3843)20-46-81
 Ноябрьск (3496)41-32-12
 Новосибирск (383)227-86-73
 Омск (3812)21-46-40
 Оренбург (3532)37-68-04
 Орел (4862)44-53-42
 Пенза (8412)22-31-16
 Петрозаводск (8142)55-98-37
 Псков (8112)59-10-37
 Пермь (342)205-81-47

Ростов-на-Дону (863)308-18-15
 Рязань (4912)46-61-64
 Самара (846)206-03-16
 Санкт-Петербург (812)309-46-40
 Саратов (845)249-38-78
 Севастополь (8692)22-31-93
 Саранск (8342)22-96-24
 Симферополь (3652)67-13-56
 Смоленск (4812)29-41-54
 Сочи (862)225-72-31
 Ставрополь (8652)20-65-13
 Сургут (3462)77-98-35
 Сыктывкар (8212)25-95-17
 Тамбов (4752)50-40-97
 Тверь (4822)63-31-35

Тольятти (8482)63-91-07
 Томск (3822)98-41-53
 Тула (4872)33-79-87
 Тюмень (3452)66-21-18
 Ульяновск (8422)24-23-59
 Улан-Уда (3012)59-97-51
 Уфа (347)229-48-12
 Хабаровск (4212)92-98-04
 Чебоксары (8352)28-53-07
 Челябинск (351)202-03-61
 Череповец (8202)49-02-64
 Чита (3022)38-34-83
 Якутск (4112)23-90-97
 Ярославль (4852)69-52-93

Россия +7(495)268-04-70

Казахстан +7(7172)727-132

Киргизия +996(312)96-26-47

<https://cashco.nt-rt.ru/> || coc@nt-rt.ru