



ISO Registered Company

MODEL MPRV-L

PRESSURE REDUCING REGULATOR



MODEL MPRV-L

OVERVIEW

The Model MPRV-L is a compact brass or stainless steel pressure regulator used to control outlet pressure level between atmospheric and 600 psig (41.4 Barg).

APPLICATIONS

For general air, oil, water, and gas services. Not recommended for steam service. Use stainless steel for service that could cause stress corrosion cracking.



LINE SIZES AVAILABLE

1/4" (DN8), 3/8" (DN10)



END CONNECTIONS

FNPT



COMMON APPLICATIONS

AIR, OIL, WATER, GAS SERVICES



DESIGN PRESSURE

MAX PRESSURE DROP:
600 psig (41.4 Barg)

Алматы (7273)495-231
Ангарск (3955)60-70-56
Архангельск (8182)63-90-72
Астрахань (8512)99-46-04
Барнаул (3852)73-04-60
Белгород (4722)40-23-64
Благовещенск (4162)22-76-07
Брянск (4832)59-03-52
Владивосток (423)249-28-31
Владикавказ (8672)28-90-48
Владимир (4922)49-43-18
Волгоград (844)278-03-48
Вологда (8172)26-41-59
Воронеж (473)204-51-73
Екатеринбург (343)384-55-89

Иваново (4932)77-34-06
Ижевск (3412)26-03-58
Иркутск (395)279-98-46
Казань (843)206-01-48
Калининград (4012)72-03-81
Калуга (4842)92-23-67
Кемерово (3842)65-04-62
Киров (8332)68-02-04
Колומна (4966)23-41-49
Кострома (4942)77-07-48
Краснодар (861)203-40-90
Красноярск (391)204-63-61
Курск (4712)77-13-04
Курган (3522)50-90-47
Липецк (4742)52-20-81

Магнитогорск (3519)55-03-13
Москва (495)268-04-70
Мурманск (8152)59-64-93
Набережные Челны (8552)20-53-41
Нижний Новгород (831)429-08-12
Новокузнецк (3843)20-46-81
Ноябрьск (3496)41-32-12
Новосибирск (383)227-86-73
Омск (3812)21-46-40
Орел (4862)44-53-42
Оренбург (3532)37-68-04
Пенза (8412)22-31-16
Петрозаводск (8142)55-98-37
Псков (8112)59-10-37
Пермь (342)205-81-47

Ростов-на-Дону (863)308-18-15
Рязань (4912)46-61-64
Самара (846)206-03-16
Санкт-Петербург (812)309-46-40
Саратов (845)249-38-78
Севастополь (8692)22-31-93
Саранск (8342)22-96-24
Симферополь (3652)67-13-56
Смоленск (4812)29-41-54
Сочи (862)225-72-31
Ставрополь (8652)20-65-13
Сургут (3462)77-98-35
Сыктывкар (8212)25-95-17
Тамбов (4752)50-40-97
Тверь (4822)63-31-35

Тольятти (8482)63-91-07
Томск (3822)98-41-53
Тула (4872)33-79-87
Тюмень (3452)66-21-18
Ульяновск (8422)24-23-59
Улан-Уда (3012)59-97-51
Уфа (347)229-48-12
Хабаровск (4212)92-98-04
Чебоксары (8352)28-53-07
Челябинск (351)202-03-61
Череповец (8202)49-02-64
Чита (3022)38-34-83
Якутск (4112)23-90-97
Ярославль (4852)69-52-93

Россия +7(495)268-04-70

Казахстан +7(7172)727-132

Киргизия +996(312)96-26-47

STANDARD/GENERAL SPECIFICATIONS

Body Size:	1/4" and 3/8" (DN8 and DN10) with FNPT connections. Inlet connection size is equal to outlet connection size.	Maximum Design Pressure:	See Table 1.
Body Orientation:	<u>Globe</u> : Side inlet, side outlet.	Range Springs:	Stainless Steel. See Table 3.
Body Material:	ASTM B16 C36000 ASTM A479 S31600/S31603	Flow Capacities:	Max. Cv Comp. Diaph.: .66 Metal Diaph.: .56 For Capacities see Table 4.
Spring Chamber Material:	ASTM B62 C83600 ASTM A479 S31600/S31603	Option -5:	<u>Cryogenic Construction</u> : Use with Trim B9S or B9G. Cleaned for oxygen service per Cashco Spec. S-1134. Mount in horizontal piping with adjusting screw oriented downwards.
Body Cap:	ASTM B16 C36000 ASTM A479 S31600/S31603	Option -31:	<u>BSPT END CONNECTIONS</u> . British Standard Tapered Pipe threads per ISO 7/1; used as an alternate to NPT ends.
Diaphragm:	Metal – 302 SST. Composition – Gylon 3522 or Buna-N. See Table 2.	Option -36:	<u>SSTCRYOGENICCONSTRUCTION</u> . Same specifications as Option -5, except with SST body/spring chamber material use Trim S9S or S9G. NOTE: Design Pressure Rating shall not exceed 375 psig (26 Barg) when process medium is oxygen.
Seat:	PTFE or Buna-N See Table 2.		
Gasket:	PTFE used with Metal Diaphragm.		
Temperature Range:	See Table 2.		

OPTION SPECIFICATIONS

Option -55:	<u>SPECIAL CLEANING</u> . Cleaning per Cashco specification S-1134 for oxygen service. Includes sealed enclosure bag and notification tag. Stainless steel or bronze body/spring chamber materials only.	Option -56:	<u>SPECIAL CLEANING</u> : Cleaning per Cashco Spec. S-1542. Cleaning <u>identical</u> to that of S-1134, but <u>not</u> labeled for application in oxygen service. <u>Not</u> suitable for oxygen service.
--------------------	--	--------------------	--

TECHNICAL SPECIFICATIONS

TABLE 1 CONTAINMENT PRESSURE VS. TEMPERATURE RATINGS PER ASME B31.3 See Table 2 for trim pressure/temperature limitations				
Materials Body/Spring Chamber	Inlet & Outlet Pressure		Temperature	
	psi	(BAR)	°F	°C
BRZ/BRZ	600	41.4	-325 to 200	-198 to 93
	580	40.0	250	121
	550	37.9	300	149
	350	24.1	400	204
SST/SST	600	41.4	-425 to 600	-254 to 315

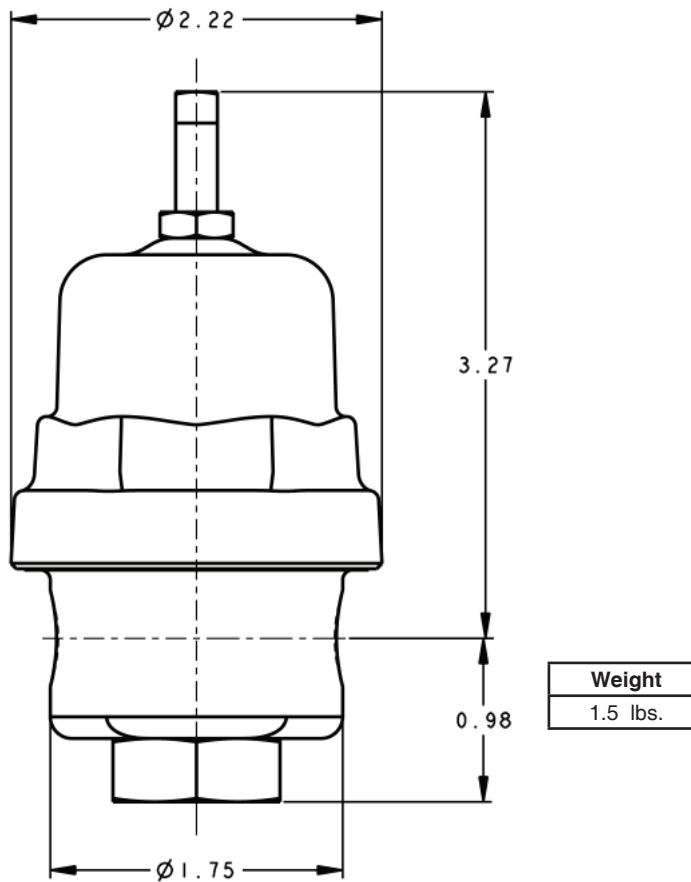
TECHNICAL SPECIFICATIONS

TABLE 2 TRIM MATERIAL COMBINATIONS							
Part	Trim Designation Number						
	B9S	B9G	B9B	B9P	S9S	S9G	S9B
Diaphragm	302 SST	Gylon 3522	Buna-N	Phosphorous Bronze	302 SST	Gylon 3522	Buna-N
Diaphragm Gasket	PTFE	N/A	N/A	PTFE	PTFE	N/A	N/A
Diaphragm Stop	Brass						
Piston	Brass				316 SST		
Seat Disc	PTFE		Buna-N	PTFE	PTFE		Buna-N
Piston Spring	17-7PH SST						
Piston Post	316 SST						
Pusher Plate	303 SST						
Pusher Plate Gasket	PTFE	N/A	N/A	PTFE	PTFE	N/A	N/A
Pressure Plate	Brass						
Range Spring	SST						
Spring Button	Brass						
Adjusting Screw & Lock Nut	SST						
Temperature Range	-325 to +180°F -198 to +83°C		-20 to +180°F -29 to +83°C		-325 to +180°F -198 to +83°C		-20 to +180°F -29 to +83°C
Maximum Working Pressure	600 psi 41.4 BAR						

TABLE 3 RANGE SPRINGS / MAX. PRESSURE DROP			
Range Spring		Max Pressure Drop	
psig	barg	psid	bard
2-30	(.14-2.07)	150	(10.3)
10-50	(.69-3.45)	275	(19.0)
40-125	(2.76-8.62)	600	(41.4)
100-175	(6.89-12.1)	600	(41.4)
175-360	(12.1-24.8)	600	(41.4)
350-500	(24.1-34.5)	600	(41.4)
400-600	(27.6-41.4)	600	(41.4)

TABLE 4 CAPACITY - Cv (F₁ = 0.95)							
Setpoint (P₁) Pressure		Metal Diaphragm			Composition Diaphragm		
		% Droop			% Droop		
psig	(Barg)	10%	20%	30%	10%	20%	30%
5	(0.3)	0.004	0.005	0.006	0.02	0.04	0.05
10	(0.7)	0.01	0.02	0.03	0.04	0.06	0.08
15	(1.0)	0.03	0.04	0.05	0.05	0.08	0.12
25	(1.7)	0.03	0.05	0.06	0.03	0.07	0.12
35	(2.4)	0.03	0.06	0.08	0.07	0.12	0.20
50	(3.4)	0.06	0.09	0.12	0.11	0.19	0.26
75	(5.2)	0.04	0.07	0.12	0.16	0.23	0.31
100	(6.9)	0.05	0.10	0.15	0.14	0.25	0.34
125	(8.6)	0.10	0.16	0.22	0.18	0.27	0.35
150	(10.3)	0.08	0.15	0.22	0.15	0.23	0.26
175	(12.1)	0.08	0.16	0.23	0.18	0.24	0.26
200	(13.8)	0.08	0.16	0.18	0.13	0.20	0.23
225	(15.5)	0.07	0.13	0.17	0.14	0.20	0.22
250	(17.2)	0.10	0.15	0.17	0.16	0.20	0.23
275	(19.0)	0.10	0.15	0.17	0.16	0.20	0.22
300	(20.7)	0.11	0.15	0.18	0.15	0.20	0.22
350	(24.1)	0.16	0.24	0.29	0.15	0.29	0.41
400	(27.6)	0.10	0.19	0.27	0.16	0.30	0.41
450	(31.0)	0.11	0.23	0.27	0.18	0.32	0.42
500	(34.5)	0.15	0.24	0.31	0.20	0.34	0.42
550	(37.9)	0.17	0.27	0.33	0.21	0.45	0.48

DIMENSIONS & WEIGHT



MODEL MPRV-L PRODUCT CODER 04/20/22

ML POS 3 — POS 5 POS 6 & 7 7 — POS 10 POS 11 0 0 0 0 POS 16 0 A

POSITION 3 - SIZE			
Size		Connection Orientation	CODE
in	(DN)		
1/4"	(8)	Globe — side inlet side outlet	2
3/8"	(10)		3

POSITION 5 - BODY / SPRING CHAMBER MATERIAL	
Material	CODE
Brass	3
SST	A

POSITION 6 & 7 - TRIM DESIGNATION NO.			
Brass Trim		SST Trim	
Desig.	CODE	Desig.	CODE
B9S *	BS	S9S *	SS
B9G *	BG	S9G *	SG
B9B	BB	S9B	SB

* Select For Cryogenic Service

POSITION 10 - END CONNECTION	
Description	CODE
FNPT	1
-31 Opt. BSPT	B
BSPT - Screwed Tapered Pipe Thread	

POSITION 11 - RANGE SPRING		
psig	(Barg)	CODE
2 - 30	(.14 - 2.07)	A
10 - 50	(.69 - 3.45)	B
40 - 125	(2.76 - 8.62)	C
100 - 175	(6.89 - 12.1)	D
175 - 360	(12.1 - 24.8)	E
350 - 500	(24.1 - 34.5)	F
400 - 600	(27.6 - 41.4)	G

POSITION 16 - CERTIFICATE OPTIONS		
Description	Option	CODE
No Option	-	0
Brass Cryogenic & Cleaned per Spec S-1134 for Trim B9S or B9G.	-5	C
SST Cryogenic & Cleaned per Spec S-1134 for Trim S9S or S9G.	-36	6
Oxygen Cleaning: Per Cashco Spec S-1134	-55	M
Special Cleaning: Per Cashco Spec S-1542.	-56	N

Алматы (7273)495-231
 Ангарск (3955)60-70-56
 Архангельск (8182)63-90-72
 Астрахань (8512)99-46-04
 Барнаул (3852)73-04-60
 Белгород (4722)40-23-64
 Благовещенск (4162)22-76-07
 Брянск (4832)59-03-52
 Владивосток (423)249-28-31
 Владикавказ (8672)28-90-48
 Владимир (4922)49-43-18
 Волгоград (844)278-03-48
 Вологда (8172)26-41-59
 Воронеж (473)204-51-73
 Екатеринбург (343)384-55-89

Иваново (4932)77-34-06
 Ижевск (3412)26-03-58
 Иркутск (395)279-98-46
 Казань (843)206-01-48
 Калининград (4012)72-03-81
 Калуга (4842)92-23-67
 Кемерово (3842)65-04-62
 Киров (8332)68-02-04
 Коломна (4966)23-41-49
 Кострома (4942)77-07-48
 Краснодар (861)203-40-90
 Красноярск (391)204-63-61
 Курск (4712)77-13-04
 Курган (3522)50-90-47
 Липецк (4742)52-20-81

Магнитогорск (3519)55-03-13
 Москва (495)268-04-70
 Мурманск (8152)59-64-93
 Набережные Челны (8552)20-53-41
 Нижний Новгород (831)429-08-12
 Новокузнецк (3843)20-46-81
 Новосибирск (3468)41-32-12
 Новосибирск (383)227-86-73
 Омск (3812)21-46-40
 Орел (4862)44-53-42
 Оренбург (3532)37-68-04
 Пенза (8412)22-31-16
 Петрозаводск (8142)55-98-37
 Псков (8112)59-10-37
 Пермь (342)205-81-47

Ростов-на-Дону (863)308-18-15
 Рязань (4912)46-61-64
 Самара (846)206-03-16
 Санкт-Петербург (812)309-46-40
 Саратов (845)249-38-78
 Севастополь (8692)22-31-93
 Серанск (8342)22-96-24
 Симферополь (3652)67-13-56
 Смоленск (4812)29-41-54
 Сочи (862)225-72-31
 Ставрополь (8652)20-65-13
 Сургут (3462)77-98-35
 Сыктывкар (8212)25-95-17
 Тамбов (4752)50-40-97
 Тверь (4822)63-31-35

Тольятти (8482)63-91-07
 Томск (3822)98-41-53
 Тула (4872)33-79-87
 Тюмень (3452)66-21-18
 Ульяновск (8422)24-23-59
 Улан-Удэ (3012)59-97-51
 Уфа (347)229-48-12
 Хабаровск (4212)92-98-04
 Чебоксары (8352)28-53-07
 Челябинск (351)202-03-61
 Череповец (8202)49-02-64
 Чита (3022)38-34-83
 Якутск (4112)23-90-97
 Ярославль (4852)69-52-93

Россия +7(495)268-04-70

Казахстан +7(7172)727-132

Киргизия +996(312)96-26-47

<https://cashco.nt-rt.ru/> || coc@nt-rt.ru