



MODEL 3171

BACK PRESSURE RELIEF REGULATOR



MODEL 3171

OVERVIEW

The Model 3171 is a stainless steel back pressure relief regulator designed to handle small to mid-capacity flow rates in sanitary biotechnical process piping systems. This unit is capable of controlling inlet pressure to a level between 5 and 200 psig (.34 and 13.8 Barg).

FEATURES

- High Stability:** High mass plug allows dampening of high frequency disturbances from inlet or outlet side of regulator.
- Trim Removal:** Easily removable trim from regulator while in-line.
- Materials Construction:** All metallic parts are SST. Unit is cleaned to Cashco Spec. #S-1576.
- Surface Finish:** Interior of body surface electro-polished to #32 micro-inch R_a finish with electro-polished exterior.

APPLICATIONS

Used in pharmaceutical industry in production of many health care products for both human and animal consumption. Widely applied for processed food production — candy, beverages, nutritional supplements and artificial sweeteners. May also be used in cosmetics production and specialty chemicals.

Would be found supporting fermenters, batching tanks, cookers, dryers and other similar equipment.



LINE SIZES AVAILABLE
1/2" (DN15)



END CONNECTIONS
SANITARY TRI-CLAMP



COMMON APPLICATIONS
PHARMACEUTICAL INDUSTRY,
PROCESSED FOOD PRODUCTION,
COSMETICS PRODUCTION, SPECIALTY
CHEMICALS



DESIGN PRESSURE
INLET: UP TO 240 psig (16.5 Barg)
OUTLET: UP TO 200 psig (13.8 Barg)

Алматы (727)495-231
Ангарск (395)60-70-56
Архангельск (8182)63-90-72
Астрахань (8512)99-46-04
Барнаул (3852)73-04-60
Белгород (4722)40-23-64
Благовещенск (4162)22-76-07
Брянск (4832)59-03-52
Владивосток (423)249-28-31
Владикавказ (8672)28-90-48
Владимир (4922)49-43-18
Волгоград (844)278-03-48
Вологда (8172)26-41-59
Воронеж (473)204-51-73
Екатеринбург (343)384-55-89

Иваново (4932)77-34-06
Ижевск (3412)26-03-58
Иркутск (395)279-98-46
Казань (843)206-01-48
Калининград (4012)72-03-81
Калуга (4842)92-23-67
Кемерово (3842)65-04-62
Киров (8332)68-02-04
Копомна (4966)23-41-49
Кострома (4942)77-07-48
Краснодар (861)203-40-90
Красноярск (391)204-63-61
Курск (4712)77-13-04
Курган (3522)50-90-47
Липецк (4742)52-20-81

Магнитогорск (3519)55-03-13
Москва (495)268-04-70
Мурманск (8152)59-64-93
Набережные Челны (8552)20-53-41
Нижний Новгород (831)429-08-12
Новокузнецк (3843)20-46-81
Новыйск (3496)41-32-12
Новосибирск (383)227-86-73
Омск (3812)21-46-40
Орел (4862)44-53-42
Оренбург (3532)37-68-04
Пенза (8412)22-31-16
Петрозаводск (8142)55-98-37
Псков (8112)59-10-37
Пермь (342)205-81-47

Ростов-на-Дону (863)308-18-15
Рязань (4912)46-61-64
Самара (846)206-03-16
Санкт-Петербург (812)309-46-40
Саратов (845)249-38-78
Севастополь (8692)22-31-93
Саранск (8342)22-96-24
Симферополь (3652)67-13-56
Смоленск (4812)29-41-54
Сочи (862)225-72-31
Ставрополь (8652)20-65-13
Сургут (3462)77-98-35
Сыктывкар (8212)25-95-17
Тамбов (4752)50-40-97
Тверь (4822)63-31-35

Тольятти (8482)63-91-07
Томск (3822)98-41-53
Тула (4872)33-79-87
Тюмень (3452)66-21-18
Ульяновск (8422)24-23-59
Улан-Уда (3012)59-97-51
Уфа (347)229-48-12
Хабаровск (4212)92-98-04
Чебоксары (8352)28-53-07
Челябинск (351)202-03-61
Череповец (8202)49-02-64
Чита (3022)38-34-83
Якутск (4112)23-90-97
Ярославль (4852)69-52-93

STANDARD/GENERAL SPECIFICATIONS

Body Size and Material: 1/2" (DN15)
Wrought Barstock; ASTM A479,
Type 316L SST.

Body Connection: **Standard** - Sanitary "Tri-Clamp®".
Designed to seal against weld-type
clamp liners per ISO 2852. One
side inlet with bottom outlet.
Option-33 - Third "Tri-Clamp®"
Body Connection for flow thru
design.

Spring Chamber Materials: **Standard** - Cast SST; ASTM A351,
Grade CF3M.

Trim:

PART	S1L	SET
Diaphragm	302 SST	EPDM
Diaphragm Cover	-	TFE
Piston	316L SST	316L SST
Seat ¹	316L SST	TFE
Seat Screw	-	316 SST
Temperature Range °F (°C)	-20 to +400 (-29 to +205)	-20 to +300 (-29 to +149)

¹The fixed portion of the seat is integral to the body. Indicated seat is the moving portion and is attached or integral with the piston.

Gasket/Seal: TFE diaphragm gasket; TFE O-rings at piston location.

Operating Temperature: -20 to +400°F (-29° to +205°C)

Inlet Pressure: 240 psig (16.5 Barg) maximum

Range Springs: **Standard:** SST

Range Spring		Maximum Build
psig	(Barg)	
5-30	(.34-2.1)	20%
20-80	(1.4-5.5)	20%
70-140	(4.8-9.6)	20%
130-200	(9.0-13.8)	20%

Cv's/Capacities: See Tables 1, 2, 3, and 4.

Cleaning: All units cleaned per Cashco Spec. #S-1576.

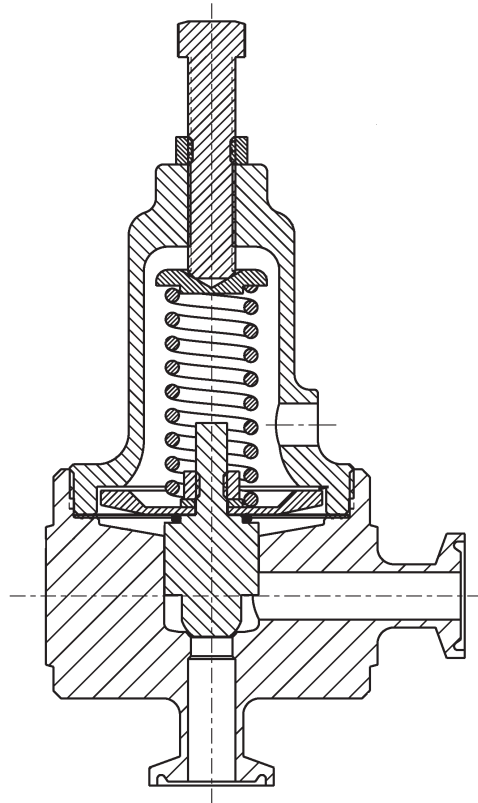


Figure 1: Metal Seat Design

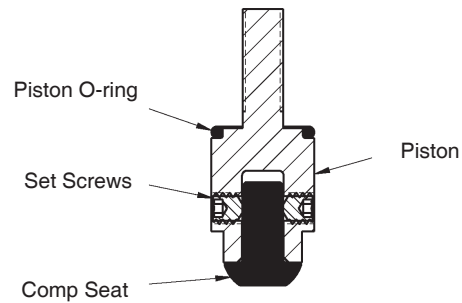


Figure 2: Composition Seat Design

TECHNICAL SPECIFICATIONS

TABLE 1
CAPACITY - Cv
(FL = 0.95)

SETPOINT (P ₁) PRESSURE (psig)	METAL DIAPHRAGM		COMPOSITION DIAPHRAGM	
	% BUILD		% BUILD	
	10%	20%	10%	20%
10	.05	.10	.07	.14
25	.09	.18	.11	.22
50	.09	.18	.11	.22
75	.12	.25	.16	.31
100	.08	.17	.10	.20
125	.09	.18	.11	.22
150	.03	.07	.05	.10
200	.07	.14	.09	.17

TABLE 2
WATER CAPACITY - GPM
S.G. = 1.0 T - 60°F FL = 0.95,
Composition Diaphragm Only

OUTLET PRESSURE (psig)	SETPOINT PRESSURE (psig)	% BUILD	
		10%	20%
ATM	10	0.2	0.5
	25	0.6	1.2
	50	0.8	1.7
	75	1.5	CAV
	100	CAV	CAV
5	10	0.2	0.4
	25	0.5	1.1
	50	0.8	1.6
	75	1.4	CAV
	100	1.0	CAV
10	125	CAV	CAV
	25	0.5	1.0
	50	0.7	1.6
	75	1.4	2.8
	100	1.0	CAV
15	125	1.2	CAV
	150	CAV	CAV
	25	0.4	0.9
	50	0.7	1.5
	75	1.3	2.7
25	100	1.0	2.0
	125	1.2	CAV
	150	0.6	CAV
	200	CAV	CAV
	50	0.6	1.3
50	75	1.2	2.5
	100	0.9	1.9
	125	1.2	2.5
	150	0.6	CAV
	200	1.3	CAV

NOTE: Where "CAV" is indicated, water has reached full cavitation and flow is choked.

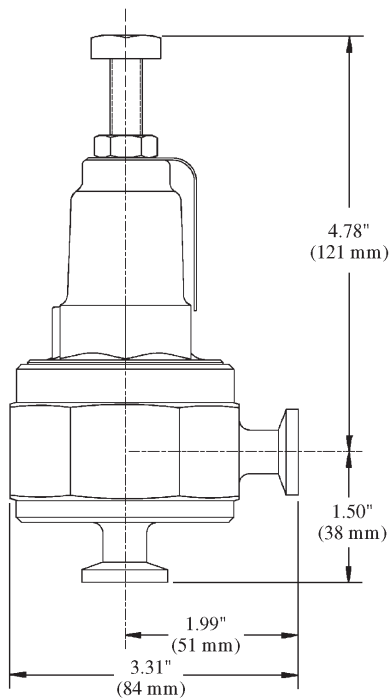
TABLE 3
AIR CAPACITY - SCFH
S.G. = 1.0 T - 60°F F_L - 0.95,
Composition Diaphragm Only

OUTLET PRESSURE (psig)	SETPOINT PRESSURE (psig)	% BUILD	
		10%	20%
ATM	50	270	580
	75	550	1150
	100	440	950
	125	590	1280
	150	320	690
	200	750	1530
25	75	540	1140
	100	440	950
	125	590	1280
	150	320	690
50	200	750	1530
	100	420	900
	125	580	1250
	150	320	680
100	200	750	1530
	125	410	890
	150	270	580
150	200	700	1450
150	200	570	1160

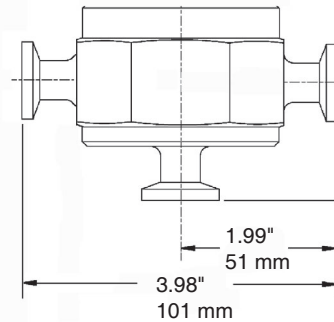
TABLE 4
STEAM - LBS/HR
S.G. = Actual T = Saturated F_L = 0.95,
Metal Diaphragm Only

OUTLET PRESSURE (psig)	SETPOINT PRESSURE (psig)	% BUILD	
		10%	20%
ATM	50	11	23
	75	20	43
	100	17	38
	125	23	48
	150	9	22
10	200	28	22
	50	11	22
	75	20	42
	100	17	38
	125	23	48
25	150	9	22
	200	28	57
	75	19	41
	100	17	37
	125	23	47
50	150	9	22
	200	28	57
	100	16	35
	125	22	46
100	150	9	21
	200	27	56
	125	17	36
	150	8	19
200	26	54	

DIMENSIONS AND WEIGHTS



Weight = 3 Lbs.
(1.36 kgs)



Option-33

The contents of this publication are presented for informational purposes only, and while every effort has been made to ensure their accuracy, they are not to be construed as warranties or guarantees, express or implied, regarding the products or services described herein or their use or applicability. We reserve the right to modify or improve the designs or specifications of such product at any time without notice. Cashco, Inc. does not assume responsibility for the selection, use or maintenance of any product. Responsibility for proper selection, use and maintenance of any Cashco, Inc. product remains solely with the purchaser.

MODEL 3171 PRODUCT CODER 02/07/20 FOR THE FOOD AND PHARMACEUTICAL INDUSTRY

An "X" in POS 12 followed by a 5-digit control number overrides remaining selections.

LS
4
A
POS 6 & 7
7
POS 10
POS 11
POS 12
0
0
0
0
0
C

POSITION 6 & 7 – TRIM DESIGNATION NUMBERS	
Desig.	CODE
S1L*	L1
SET	LT

* Trim utilize on steam service only.

POSITION 10 - END CONNECTIONS	
Description	CODE
Sanitary Tri-Clamp (1 side inlet, 1 bottom outlet)	1
OPT-33 - Third Body Conn. Sanitary Tri-Clamp (2 side inlets (flow thru), 1 bottom outlet)	4

POSITION 11 – RANGE SPRINGS		
SST Range Spring		CODE
psig	(Barg)	
5-30	(.34-2.1)	A
20-80	(1.4-5.5)	B
70-140	(4.8-9.7)	C
130-200	(9.0-13.8)	D

POSITION 12 - OPTIONS		
Description	Option	CODE
Wetted Parts Cert 'U' (USP).	Std	6
For Special Construction Contact Cashco for Special Product Code.	SPQ	X

Алматы (7273)495-231
Ангарск (3955)60-70-56
Архангельск (8182)63-90-72
Астрахань (8512)99-46-04
Барнаул (3852)73-04-60
Белгород (4722)40-23-64
Благовещенск (4162)22-76-07
Брянск (4832)59-03-52
Владивосток (423)249-28-31
Владикавказ (8672)28-90-48
Владимир (4922)49-43-18
Волгоград (844)278-03-48
Вологда (8172)26-41-59
Воронеж (473)204-51-73
Екатеринбург (343)384-55-89

Иваново (4932)77-34-06
Ижевск (3412)26-03-58
Иркутск (395)279-98-46
Казань (843)206-01-48
Калининград (4012)72-03-81
Калуга (4842)92-23-67
Кемерово (3842)65-04-62
Киров (8332)68-02-04
Коломна (4966)23-41-49
Кострома (4942)77-07-48
Краснодар (861)203-40-90
Красноярск (391)204-63-61
Курск (4712)77-13-04
Курган (3522)50-90-47
Липецк (4742)52-20-81

Магнитогорск (3519)55-03-13
Москва (495)268-04-70
Мурманск (8152)59-64-93
Набережные Челны (8552)20-53-41
Нижний Новгород (831)429-08-12
Новокузнецк (3843)20-46-81
Новыйск (3496)41-32-12
Новосибирск (383)227-86-73
Омск (3812)21-46-40
Орел (4862)44-53-42
Оренбург (3532)37-68-04
Пенза (8412)22-31-16
Петрозаводск (8142)55-98-37
Псков (8112)59-10-37
Пермь (342)205-81-47

Ростов-на-Дону (863)308-18-15
Рязань (4912)46-61-64
Самара (846)206-03-16
Санкт-Петербург (812)309-46-40
Саратов (845)249-38-78
Севастополь (8692)22-31-93
Саранск (8342)22-96-24
Симферополь (3652)67-13-56
Смоленск (4812)29-41-54
Сочи (862)225-72-31
Ставрополь (8652)20-65-13
Сургут (3462)77-98-35
Сыктывкар (8212)25-95-17
Тамбов (4752)50-40-97
Тверь (4822)63-31-35

Тольятти (8482)63-91-07
Томск (3822)98-41-53
Тула (4872)33-78-87
Тюмень (3452)65-21-18
Ульяновск (8422)24-23-59
Улан-Ула (3012)59-97-51
Уфа (347)229-48-12
Хабаровск (4212)92-98-04
Чебоксары (8352)28-53-07
Челябинск (351)202-03-61
Череповец (8202)49-02-64
Чита (3022)38-34-83
Якутск (4112)23-90-97
Ярославль (4852)69-52-93

Россия +7(495)268-04-70

Казахстан +7(7172)727-132

Киргизия +996(312)96-26-47