

CONSTRUCTION

Body Material: Available in Aluminum, Carbon Steel or 316 SST.

Numerous Sizes. Available in Sizes 2" through 12". CS & SST vents have Raised Face Flange, Aluminum vents have Flat Face Flange to mate with ASME150# flange connections.

Diaphragm Case Material: Available in Carbon Steel or Stainless Steel.

Diaphragm Material: FKM - Standard; also available EPDM or FEP-TFE.

Pilot Body Material: 316SST.

Pilot Seat & Seals (o-rings): FKM - Standard; also available EPDM, FFKM 1 or FFKM 2.

Pilot (Sensing) Diaphragm: FEP-TFE.

SPECIAL FEATURES

Easy Inspection. The Model 5500 incorporates the same rugged design found in all Valve Concepts venting devices - they're made to last. The main valve seat can easily be inspected without affecting the set point. The pilot assembly uses standard o-rings. No special seal diaphragm or proprietary molded elastomers. Maintenance is easy and less expensive.

Maintains Accurate Settings. The standard minimum setting is 1.2 inches WC on all sizes. Maximum pressure setting is 15 psig. A certified test certificate is included with each vent verifying the accuracy.

Condensate Drainage. Self-draining housing body and drip rings keep condensate away from seating surfaces, preventing freezing, binding and clogging.

Air-Cushioned Seating. Air-cushion seating provides tight sealing to reduce evaporation losses. The pallets have outer guiding and center stabilizing stem to provide self alignment and tight seating.



Model 5500
PILOT OPERATED
Pressure Vent with Pipe-Away

OBJECTIVE

The Pilot Operated Model 5500 conservation pressure vent with pipe-away is intended for use where pressure relief is required and the relieving vapors must be piped away and not emitted into the atmosphere. May also be used for in-line vacuum relief.

TECHNIQUE

A pallet in the vent housing opens and closes permitting relief necessary, under working conditions, to avoid tank damage. A flanged side connection is provided for easy pipe-away of vapors, eliminating their emission into the atmosphere, and allowing compliance with applicable regulations.

MATERIALS OF CONSTRUCTION

Series	Housing	Trim	Diaphragm Cases	Tube & Fittings
5500CS	CS	316 SST	CS	CS
5500SST	316 SST	316 SST	SST	SST
5500A	Aluminum	Aluminum	CS	CS

Алматы (7273)495-231
Ангарск (3955)60-70-56
Архангельск (8182)63-90-72
Астрахань (8512)99-46-04
Барнаул (3852)73-04-60
Белгород (4722)40-23-64
Благовещенск (4162)22-76-07
Брянск (4832)59-03-52
Владивосток (423)249-28-31
Владикавказ (8672)28-90-48
Владимир (4922)49-43-18
Волгоград (844)278-03-48
Вологда (8172)26-41-59
Воронеж (473)204-51-73
Екатеринбург (343)384-55-89

Иваново (4932)77-34-06
Ижевск (3412)26-03-58
Иркутск (395)279-98-46
Казань (843)206-01-48
Калининград (4012)72-03-81
Калуга (4842)92-23-67
Кемерово (3842)65-04-62
Киров (8332)68-02-04
Коломна (4966)23-41-49
Кострома (4942)77-07-48
Краснодар (861)203-40-90
Красноярск (391)204-63-61
Курск (4712)77-13-04
Курган (3522)50-90-47
Липецк (4742)52-20-81

Магнитогорск (3519)55-03-13
Москва (495)268-04-70
Мурманск (8152)59-64-93
Набережные Челны (8552)20-53-41
Нижний Новгород (831)429-08-12
Новокузнецк (3843)20-46-81
Ноябрьск (3496)41-32-12
Новосибирск (383)227-86-73
Омск (3812)21-46-40
Оренбург (3532)37-68-04
Орел (4862)44-53-42
Пенза (8412)22-31-16
Петрозаводск (8142)55-98-37
Псков (8112)59-10-37
Пермь (342)205-81-47

Ростов-на-Дону (863)308-18-15
Рязань (4912)46-61-64
Самара (846)206-03-16
Санкт-Петербург (812)309-46-40
Саратов (845)249-38-78
Севастополь (8692)22-31-93
Саранск (8342)22-96-24
Симферополь (3652)67-13-56
Смоленск (4812)29-41-54
Сочи (862)225-72-31
Ставрополь (8652)20-65-13
Сургут (3462)77-98-35
Сыктывкар (8212)25-95-17
Тамбов (4752)50-40-97
Тверь (4822)63-31-35

Тольятти (8482)63-91-07
Томск (3822)98-41-53
Тула (4872)33-79-87
Тюмень (3452)66-21-18
Ульяновск (8422)24-23-59
Улан-Удэ (3012)59-97-51
Уфа (347)229-48-12
Хабаровск (4212)92-98-04
Чебоксары (8352)28-53-07
Челябинск (351)202-03-61
Череповец (8202)49-02-64
Чита (3022)38-34-83
Якутск (4112)23-90-97
Ярославль (4852)69-52-93

Россия +7(495)268-04-70

Казахстан +7(7172)727-132

Киргизия +996(312)96-26-47

STANDARD/GENERAL SPECIFICATIONS

**Spring
Ranges:**

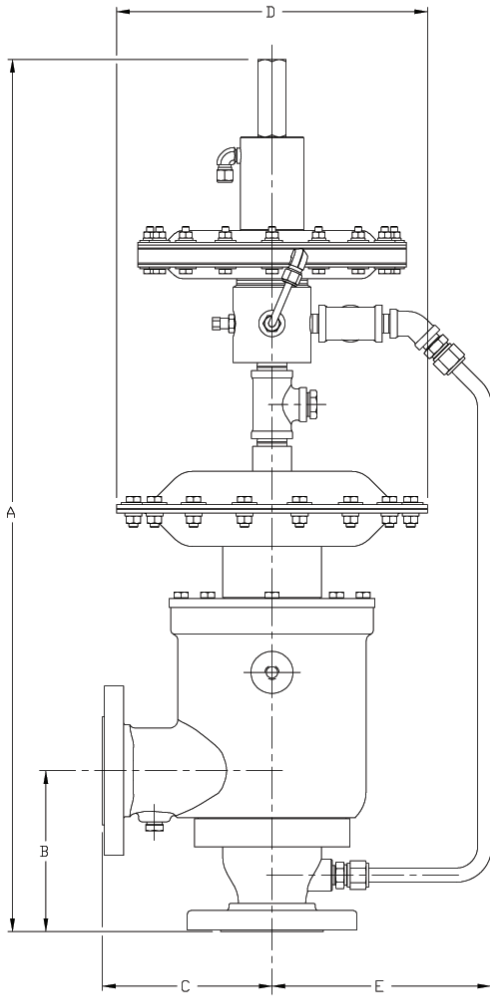
PRESSURE RANGE	
in WC	(mbar)
1.2" to 2.0" *	(2.9 to 4.9) *
2.1" to 12.0"	(4.9 to 29.9)
12.1" to 18.0"	(30.0 to 44.8)
18.1" to 36.0"	(44.9 to 89.4)
36.1" to 41.7"	(89.5 to 103.5)
41.8" to 86.0"	(103.6 to 214)
PSIG	(Barg)
3.2 to 15.0 psig	(0.22 to 1.03 bar)
* Pressure range 1.2" to 4.0" WC require external air assist to the pilot.	

Diaphragm FEP-TFE:
Temperature -400° to 400° F (-240° to 204°C)
Limits: FKM (Fluorocarbon Elastomer):
 -20° to 400° F (-28° to 204°C)
 EPDM (Ethylenepropylene):
 -40° to 225° F (-40° to 107°C)

Seat & Seal FKM (Fluorocarbon Elastomer):
Materials -15° to 300° F (-26° to 149° C)
Temperature EPDM (Ethylenepropylene):
Limits: -55° F to 212° F (-48° C to 100° C)
 FFKM 1 (Perfluoroelastomer):
 -22° F to 400° F (-30° C to 204° C)
 FFKM 2 (Perfluoroelastomer):
 -40° F to 400° F (-40° C to 204° C)

Painting: Standard: Exterior coating will be a combination of Cashco Paint Specs #S-1777 epoxy and #S-1743 powder coated. Tubing, fasteners, seat surfaces - corrosion resistant parts excluded.

DIMENSIONS



ENGLISH Units - in Aluminum, Carbon Steel & Stainless Steel						Weight - lbs.	
SIZE In	A	B	C	D (diam)	E	Alum	CS / SST
2" x 2"	31.00	5.70	6.00	11.00	7.75	44	88
2" x 3"	31.00	6.25	6.19	11.00	7.75	46	92
3" x 3"	33.12	6.91	6.50	11.00	7.75	52	105
3" x 4"	33.12	7.41	6.50	11.00	7.75	54	108
4" x 4"	39.88	8.78	8.00	16.50	9.25	80	160
4" x 6"	39.88	9.78	8.00	16.50	9.25	82	164
6" x 6"	41.50	10.34	9.00	16.50	9.25	103	207
6" x 8"	41.50	11.53	9.00	16.50	9.25	109	218
8" x 10"	45.88	13.72	11.00	23.81	12.94	179	358
10" x 12"	48.50	15.59	12.25	23.81	13.25	221	441
12" x 14"	54.75	21.18	14.00	23.81	13.38	268	536

METRIC Units - mm Aluminum, Carbon Steel & Stainless Steel						Weight - kg.	
SIZE (DN)	A	B	C	D (diam)	E	Alum	CS / SST
(50) x (50)	787	145	152	279	197	20	40
(50) x (80)	787	159	157	279	197	21	42
(80) x (80)	841	175	165	279	197	24	47
(80) x (100)	841	188	165	279	197	25	49
(100) x (100)	1013	223	203	419	235	36	73
(100) x (150)	1013	248	203	419	235	37	75
(150) x (150)	1054	263	229	419	235	47	94
(150) x (200)	1054	293	229	419	235	49	99
(200) x (250)	1165	348	279	605	329	81	163
(250) x (300)	1232	396	311	605	336	100	200
(300) x (350)	1391	538	356	605	340	122	243

The contents of this publication are presented for informational purposes only, and while every effort has been made to ensure their accuracy, they are not to be construed as warranties or guarantees, express or implied, regarding the products or services described herein or their use or applicability. We reserve the right to modify or improve the designs or specifications of such product at any time without notice. Cashco, Inc. does not assume responsibility for the selection, use or maintenance of any product. Responsibility for proper selection, use and maintenance of any Cashco, Inc. product remains solely with the purchaser.

5500 Series PRODUCT CODE

02/07/20

Last 6 Characters reserved for SPQ drawing numbers assigned by Cashco Inc.
(Format as - # # # # #)



POSITION 3 - INLET SIZE			
INCH	CODE	DIN FLANGE DN (rating)	CODE
2"	2	50 (PN16)	H
3"	3	80 (PN16)	J
4"	4	100 (PN16)	K
6"	6	150 (PN16)	L
8" *	8	200 * (PN10)	M
		200 * (PN16)	T
10" *	A	250 * (PN10)	N
		250 * (PN16)	V
12" *	B	300 * (PN10)	P
		300 * (PN16)	W

* 8" inlet only available w/10" outlet.
* 10" inlet only available w/12" outlet.
* 12" inlet only available w/14" outlet.

POSITION 4 - OUTLET SIZE			
INCH	CODE	DIN FLANGE DN (rating)	CODE
2"	2	50 (PN16)	H
3"	3	80 (PN16)	J
4"	4	100 (PN16)	K
6"	6	150 (PN16)	L
8"	8	200 (PN10)	M
		200 (PN16)	T
10" *	A	250 * (PN10)	N
		250 * (PN16)	V
12" *	B	300 * (PN10)	P
		300 * (PN16)	W
14" *	C	350 * (PN10)	R
		350 * (PN16)	Y

POSITION 5 - BODY / TRIM MATERIALS		
Material	W/O Flame-screen	W/Flamescreen
	CODE	CODE
ALUM/ALUM *	A	B
ALUM/SST *	K	L
CS/SST	C	D
SST/SST	S	T

* Alum vents have Flat Face flange
CS & SST vents have Raised Face flange

POSITION 8 - PRESSURE RANGES	Std. Constr.	W/ AIR ASSIST
Spring Range	CODE	CODE
1.2" - 2.0" WC (2.9 - 4.9 mbar)	--	L
2.1" - 12.0" WC (4.9 - 29.9 mbar)	3	C
12.1" - 18.0" WC (30.0 - 44.8 mbar)	6	D
18.1" - 36" WC (44.9 - 89.4 mbar)	7	E
36.1" - 41.7" WC (89.5 - 103.5 mbar)	8	F
41.8" - 86.0" WC (103.6 - 214 mbar)	9	J
3.2 - 15.0 psig (0.22 - 1.03 bar)	H	K

* Pressure range 1.2" to 4.0" WC require external air assist to the pilot.

POSITION 9 - PILOT SEAT / MAIN VALVE SEALS / DIAPHRAGM	
Materials	CODE
FFKM 1 / FEP / FEP	C
EPDM / EPDM / EPDM	E
FFKM 2 / FEP / FEP	K
FKM / FKM / FKM	V

POSITION 11 - OPTIONS (Opt. 2 - 6 Pilot Exhaust to Main Valve Outlet)	Std Paint	Offshore Paint Opt-950S
Sensing Configuration & Accessory Options	CODE	
Standard: Internal Sensing, Exhaust to Main Valve Outlet	0	W
OPT 1: Internal Sensing, Exhaust to Atmosphere	1	V
OPT 2: Remote Sensing	2	T
OPT 3: Internal Sensing, with Manual Blowdown Valve	3	S
OPT 4: Internal Sensing, with Backflow Preventer	4	N
OPT 5: Internal Sensing, with Backflow Preventer & Field Test Connection	5	R
OPT 6: Internal Sensing, with Rotometer to Purge Pilot Sense & Discharge Lines	6	P
OPT 7: Internal Sensing, Exhaust to Atmosphere with Rotometer to Purge Pilot Sense Line	7	M
OPT 8: Internal Sensing, Exhaust to Atmosphere with Backflow Preventer & Field Test Connection	8	9
OPT A: Internal Sensing, Exhaust to Atmosphere with Manual Blowdown Valve	A	B
OPT 10: Internal Sensing, Exhaust to Atmosphere with Backflow Preventer	D	J

Алматы (7273)495-231
Ангарск (3955)60-70-56
Архангельск (8182)63-90-72
Астрахань (8512)99-46-04
Барнаул (3852)73-04-60
Белгород (4722)40-23-64
Благовещенск (4162)22-76-07
Брянск (4832)59-03-52
Владивосток (423)249-28-31
Владикавказ (8672)28-90-48
Владимир (4922)49-43-18
Волгоград (844)278-03-48
Вологда (8172)26-41-59
Воронеж (473)204-51-73
Екатеринбург (343)384-55-89

Иваново (4932)77-34-06
Ижевск (3412)26-03-58
Иркутск (395)279-98-46
Казань (843)206-01-48
Калининград (4012)72-03-81
Калуга (4842)92-23-67
Кемерово (3842)65-04-62
Киров (8332)68-02-04
Коломна (4966)23-41-49
Кострома (4942)77-07-48
Краснодар (861)203-40-90
Красноярск (391)204-63-61
Курск (4712)77-13-04
Курган (3522)50-90-47
Липецк (4742)52-20-81

Магнитогорск (3519)55-03-13
Москва (495)268-04-70
Мурманск (8152)59-64-93
Набережные Челны (8552)20-53-41
Нижний Новгород (831)429-08-12
Новокузнецк (3843)20-46-81
Ноябрьск (3496)41-32-12
Новосибирск (383)227-86-73
Омск (3812)21-46-40
Орел (4862)44-53-42
Оренбург (3532)37-68-04
Пenza (8412)22-31-16
Петрозаводск (8142)55-98-37
Псков (8112)59-10-37
Пермь (342)205-81-47

Ростов-на-Дону (863)308-18-15
Рязань (4912)46-61-64
Самара (846)206-03-16
Санкт-Петербург (812)309-46-40
Саратов (845)249-38-78
Севастополь (8692)22-31-93
Саранск (8342)22-96-24
Симферополь (3652)67-13-56
Смоленск (4812)29-41-54
Сочи (862)225-72-31
Ставрополь (8652)20-65-13
Сургут (3482)77-98-35
Сыктывкар (8212)25-95-17
Тамбов (4752)50-40-97
Тверь (4822)63-31-35

Тольятти (8482)63-91-07
Томск (3822)98-41-53
Тула (4872)33-79-87
Тюмень (3452)66-21-18
Ульяновск (8422)24-23-59
Улан-Удэ (3012)59-97-51
Уфа (347)229-48-12
Хабаровск (4212)92-98-04
Чебоксары (8352)28-53-07
Челябинск (351)202-03-61
Череповец (8202)49-02-64
Чита (3022)38-34-83
Якутск (4112)23-90-97
Ярославль (4852)69-52-93

Россия +7(495)268-04-70

Казахстан +7(7172)727-132

Киргизия +996(312)96-26-47

<https://cashco.nt-rt.ru/> || coc@nt-rt.ru