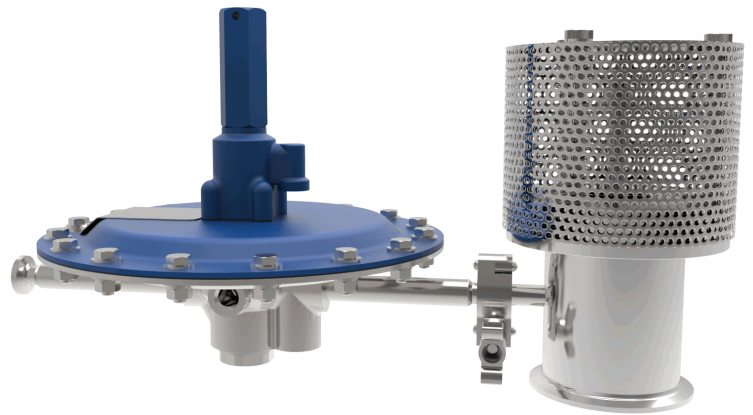


# MODEL 1100

## SANITARY VENT

### OVERVIEW

The Model 1100 is a stainless steel sanitary vent designed to operate at multiple set points as a breather valve to avoid vacuum or over pressurization inside a tank or piping system. This unit comes with a true sanitary blanketing connection, and is designed so that it can be used with our sanitary blanketing valve; VCI model 1088.



MODEL 1100  
Shown with Model 1088

### FEATURES

**Easy Inspection, Installation and Maintenance:** Ingenious design and industrial construction permits easy, convenient handling for inspection, installation and maintenance. No adjustment is required during reassembly after cleaning or maintenance to establish set point. Main vent complies with sanitary standards for self-draining and machine finish requirements.

**Maintains Accurate Settings:** Controlled design for an accurate, repeatable set point. Minimum setting down to 0.43 psi for pressure and 0.04 psi for vacuum. Maximum setting upwards to 3.42 psi for pressure and 0.381 psi for vacuum. See Table 1 and Table 2.

**Shutoff:** An extremely tight shut off with a leakage rate better than the industry standard of less than 1 SCFH at 90% of set point is verified for both pressure and vacuum which prevents waste of blanketing gases. All vents are 100% tested to meet Cashco's seat leakage requirements.



### LINE SIZES AVAILABLE

2" (DN50), 3" (DN80), 4" (DN100), 6" (DN150)



### END CONNECTIONS

SANITARY QUICK CLAMP



### COMMON APPLICATIONS

PHARMACEUTICAL INDUSTRY,  
PROCESSED FOOD PRODUCTION,  
COSMETICS & SPECIALTY CHEMICALS



### DESIGN PRESSURE

MULTIPLE SET PRESSURE & VACUUM  
RANGES AVAILABLE

Алматы (7273)495-231  
Ангарск (3955)60-70-56  
Архангельск (8182)63-90-72  
Астрахань (8512)99-46-04  
Барнаул (3852)73-04-60  
Белгород (4722)40-23-64  
Благовещенск (4162)22-76-07  
Брянск (4832)59-03-52  
Владивосток (423)249-28-31  
Владикавказ (8672)28-90-48  
Владимир (4922)49-43-18  
Волгоград (844)278-03-48  
Вологда (8172)26-41-59  
Воронеж (473)204-51-73  
Екатеринбург (343)384-55-89

Иваново (4932)77-34-06  
Ижевск (3412)26-03-58  
Иркутск (395)279-98-46  
Казань (843)206-01-48  
Калининград (4012)72-03-81  
Калуга (4842)92-23-67  
Кемерово (3842)65-04-62  
Киров (8332)68-02-04  
Коломна (4966)23-41-49  
Кострома (4942)77-07-48  
Краснодар (861)203-40-90  
Красноярск (391)204-63-61  
Курск (4712)77-13-04  
Курган (3522)50-90-47  
Липецк (4742)52-20-81

Магнитогорск (3519)55-03-13  
Москва (495)268-04-70  
Мурманск (8152)59-64-93  
Набережные Челны (8552)20-53-41  
Ноябрьск (3496)41-32-12  
Новокузнецк (3843)20-46-81  
Омск (3812)21-46-40  
Орел (4862)44-53-42  
Оренбург (3532)37-68-04  
Пенза (8412)22-31-16  
Петрозаводск (8142)55-98-37  
Псков (8112)59-10-47  
Пермь (342)205-81-47

Ростов-на-Дону (863)308-18-15  
Рязань (4912)46-61-64  
Самара (846)206-03-16  
Санкт-Петербург (812)309-46-40  
Саратов (845)249-38-78  
Севастополь (8692)22-31-93  
Саранск (8342)22-96-24  
Симферополь (3652)67-13-56  
Смоленск (4812)29-41-54  
Сочи (862)225-72-31  
Ставрополь (8652)20-65-13  
Сургут (3462)77-98-35  
Сыктывкар (8212)25-95-17  
Тамбов (4752)50-40-97  
Тверь (4822)63-31-35

Тольятти (8482)63-91-07  
Томск (3822)98-41-53  
Тула (4872)33-79-87  
Тюмень (3452)66-21-18  
Ульяновск (8422)24-23-59  
Улан-Уда (3012)59-97-51  
Уфа (347)229-48-12  
Хабаровск (4212)92-98-04  
Чебоксары (8352)28-53-07  
Челябинск (351)202-03-61  
Череповец (8202)49-02-64  
Чита (3022)38-34-83  
Якутск (4112)23-90-97  
Ярославль (4852)69-52-93

Россия +7(495)268-04-70

Казахстан +7(7172)727-132

Киргизия +996(312)96-26-47

## CONSTRUCTION

**Housing:** 316L Stainless Steel.

**Available Sizes:** 2", 3", 4", and 6"

Flange base is Sanitary Quick-Clamp; can be supplied with all gaskets and clamps necessary for installation.

**Seal Material:** FKM (Viton);  
Materials are FDA Certified USP Class VI.

Stainless steel weather screen prevents debris from entering the tank.

## FEATURES

**Sanitary Construction** - SST Construction - Interior of body surface Electro Polished to 16 micro-inch Ra finish. Unit is cleaned to Cashco Spec. #S-1576. Comply with FDA 21 CRF 177 2600 & USP Class VI material classification.

## SPECIFICATIONS

**Body Connections:** Sanitary Quick-Clamp

**Body Size and Material:**

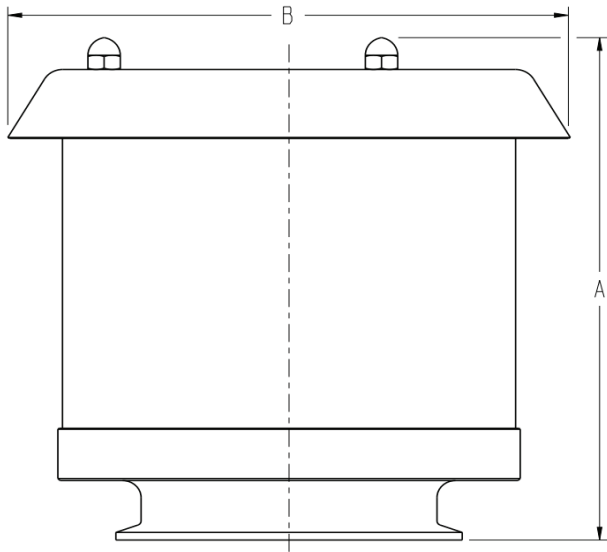
2", 3", 4", and 6" (DN50, DN80, DN100, and DN150) sizes. 316L stainless steel.

**Range Springs:**

Table 1 Pressure Range:		
Size	Min Setpoint (psi)	Max Setpoint (psi)
2"	0.49	3.42
3"	0.44	3.31
4"	0.43	2.67
6"	0.44	2.19

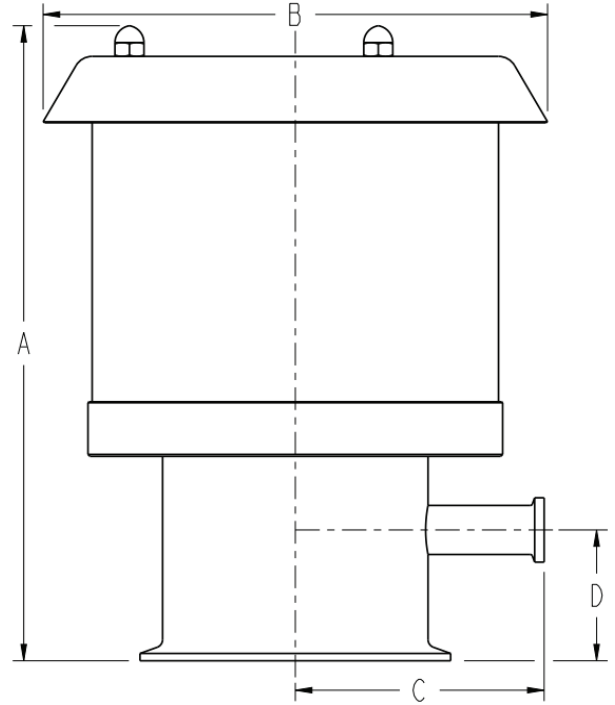
Table 2 Vacuum Range:		
Size	Min Setpoint (psi)	Max Setpoint (psi)
2"	0.081	0.385
3"	0.068	0.358
4"	0.069	0.319
6"	0.087	0.397

## DIMENSIONS & WEIGHTS



**Standard Without 3/4"  
Connection**

SIZE	DIMENSIONS - inches (mm)		Weights - lbs. (kg)
	A	B	
2"	6.02 (152.9)	5.03 (127.8)	4.16 (1.89)
3"	6.31 (160.3)	6.89 (175.0)	7.46 (3.38)
4"	7.39 (187.7)	7.60 (193.0)	9.85 (4.47)
6"	9.64 (244.9)	11.43 (290.3)	24.58 (11.15)



**With 3/4" Blanket  
Connection**

SIZE	DIMENSIONS - inches (mm)				Weights - lbs. (kg)
	A	B	C	D	
2"	7.58 (192.5)	5.03 (127.8)	2.75 (69.9)	1.50 (38.1)	4.16 (1.89)
3"	9.21 (233.9)	6.31 (160.3)	3.25 (82.6)	2.00 (50.8)	8.14 (3.69)
4"	9.71 (246.6)	7.60 (193.0)	3.75 (95.3)	2.00 (50.8)	10.87 (4.93)
6"	13.96 (354.6)	11.43 (290.3)	4.75 (120.7)	3.00 (76.2)	27.83 (12.62)

The contents of this publication are presented for informational purposes only, and while every effort has been made to ensure their accuracy, they are not to be construed as warranties or guarantees, express or implied, regarding the products or services described herein or their use or applicability. We reserve the right to modify or improve the designs or specifications of such product at any time without notice. Cashco, Inc. does not assume responsibility for the selection, use or maintenance of any product. Responsibility for proper selection, use and maintenance of any Cashco, Inc. product remains solely with the purchaser.

# 1100 PRODUCT CODE 04/24/18

Last 6 Characters reserved for SPQ drawing numbers assigned by Cashco Inc.  
(Format as - # # # # # #)

**S** **V** **T** **POS**  
4 **POS**  
5 **B** **0** **1** **0** **0** **POS**  
11 **K** **0** **0** **0** **0** **0** **0**

POSITION 4 - SIZE	
INCH ASME	CODE
2" - DN50	2
3" - DN80	3
4" - DN100	4
6" - DN150	6

POSITION 5 - BODY/ TRIM/ PALLET MATERIAL		
MATERIAL	With 3/4" Blanket Connection	Without 3/4" Blanket Connection
	CODE	
316 SST	B	D

POSITION 11 - OPTIONS	
DESCRIPTION	CODE
None	0
Supplied with Clamps and FKM (Viton) Gaskets	1

Алматы (7273)495-231  
Ангарск (3955)60-70-56  
Архангельск (8182)63-90-72  
Астрахань (8512)99-46-04  
Барнаул (3852)73-04-60  
Белгород (4722)40-23-64  
Благовещенск (4162)22-76-07  
Брянск (4832)59-03-52  
Владивосток (423)249-28-31  
Владикавказ (8672)28-90-48  
Владимир (4922)49-43-18  
Волгоград (844)278-03-48  
Вологда (8172)26-41-59  
Воронеж (473)204-51-73  
Екатеринбург (343)384-55-89

Иваново (4932)77-34-06  
Ижевск (3412)26-03-58  
Иркутск (395)279-98-46  
Казань (843)206-01-48  
Калининград (4012)72-03-81  
Калуга (4842)92-23-67  
Кемерово (3842)65-04-62  
Киров (8332)68-02-04  
Коломна (4966)23-41-49  
Кострома (4942)77-07-48  
Краснодар (861)203-40-90  
Красноярск (391)204-63-61  
Курск (4712)77-13-04  
Курган (3522)50-90-47  
Липецк (4742)52-20-81

Магнитогорск (3519)55-03-13  
Москва (495)268-04-70  
Мурманск (8152)59-64-93  
Набережные Челны (8552)20-53-41  
Нижний Новгород (831)429-08-12  
Новокузнецк (3843)20-46-81  
Ноябрьск (3496)41-32-12  
Новосибирск (383)227-86-73  
Омск (3812)21-46-40  
Орел (4862)44-53-42  
Оренбург (3532)37-68-04  
Пенза (8412)22-31-16  
Петрозаводск (8142)55-98-37  
Псков (8112)59-10-37  
Пермь (342)205-81-47

Ростов-на-Дону (863)308-18-15  
Рязань (4912)46-61-64  
Самара (846)206-03-16  
Санкт-Петербург (812)309-46-40  
Саратов (845)249-38-78  
Севастополь (8692)22-31-93  
Саранск (8342)22-96-24  
Симферополь (3652)67-13-56  
Смоленск (4812)29-41-54  
Сочи (862)225-72-31  
Ставрополь (8652)20-65-13  
Сургут (3462)77-98-35  
Сыктывкар (8212)25-95-17  
Тамбов (4752)50-40-97  
Тверь (4822)63-31-35

Тольятти (8482)63-91-07  
Томск (3822)98-41-53  
Тула (4872)33-79-87  
Тюмень (3452)66-21-18  
Ульяновск (8422)24-23-59  
Улан-Удэ (3012)59-97-51  
Уфа (347)229-48-12  
Хабаровск (4212)92-98-04  
Чебоксары (8352)28-53-07  
Челябинск (351)202-03-61  
Череповец (8202)49-02-64  
Чита (3022)38-34-83  
Якутск (4112)23-90-97  
Ярославль (4852)69-52-93

Россия +7(495)268-04-70

Казахстан +7(7172)727-132

Киргизия +996(312)96-26-47

<https://cashco.nt-rt.ru/> || [coc@nt-rt.ru](mailto:coc@nt-rt.ru)