

**TECHNIQUE**

Under normal operating conditions, the spring-loaded pallet assembly is closed providing a vapor-tight seal. In the event the tank pressure reaches the set point of the vent, due to product movement into the tank, thermal expansion of the product and vapors or due to an emergency (fire involvement of the tank), the spring-loaded pallet lifts to vent excess vapors thereby protecting the tank from dangerous over pressurization. Once the over pressure condition is relieved the spring-loaded pallet closes to provide a vapor tight seal.

**CONSTRUCTION**

**Housing Material:** Flange base and weatherhood available in Aluminum, Carbon Steel, or 316 SST.

**Sizes - Connections.** Available in Sizes 2" through 6". CS and SST vents have Raised Face Flange, Aluminum vents have Flat Face Flange to mate with standard ASME150# flange connections.

**Pallet Diaphragm Material:** FEP TFE is Standard. Also available Buna-N, EPDM or Fluorocarbon Elastomer (FKM).

**SPECIAL FEATURES**

**Easy Inspection.** The 4400 series vent is light weight and designed for trouble free entry for inspection and maintenance. A coarse, mesh screen prevents entry of foreign matter into seating area.

**Maintains Accurate Settings.** The minimum pressure setting is 1.25 psig and the maximum setting is 15 psig. As with every vent supplied by Valve Concepts, Inc. a certified test report is provided verifying vent setting and a leakage rate of no more than 1 SCFH at 90% of the customer specified set point.

**Air-Cushioned Seating.** Air-cushion seating provides tight sealing to reduce the unnecessary release of vapors and loss of product to the atmosphere.



**Model 4400**  
Spring Loaded  
Pressure Vent To Atmosphere

**OBJECTIVE**

The Model 4400 spring loaded pressure relief vents are designed for higher pressure settings and are used in applications for normal or emergency venting pressure relief. The series 4400 vents are pressure only devices and as such do not provide vacuum relief. Vacuum relief must be supplied by the operating vent with which the tank is equipped. If vacuum relief is needed, see Valve Concepts, Inc., Technical Bulletin 3300, 3600, 4100, or the 4200.

MATERIALS OF CONSTRUCTION		
Series	Housing	Pallet
4400CS	CS	316 SST
4400SST	316 SST	316 SST
4400A	Aluminum	316 SST

Алматы (7273)495-231  
Ангарск (3955)60-70-56  
Архангельск (8182)63-90-72  
Астрахань (8512)99-46-04  
Барнаул (3852)73-04-60  
Белгород (4722)40-23-64  
Благовещенск (4162)22-76-07  
Брянск (4832)59-03-52  
Владивосток (423)249-28-31  
Владикавказ (8672)28-90-48  
Владимир (4922)49-43-18  
Волгоград (844)278-03-48  
Вологда (8172)26-41-59  
Воронеж (473)204-51-73  
Екатеринбург (343)384-55-89

Иваново (4932)77-34-06  
Ижевск (3412)26-03-58  
Иркутск (395)279-98-46  
Казань (843)206-01-48  
Калининград (4012)72-03-81  
Калуга (4842)92-23-67  
Кемерово (3842)65-04-62  
Киров (8332)68-02-04  
Коломна (4966)23-41-49  
Кострома (4942)77-07-48  
Краснодар (861)203-40-90  
Красноярск (391)204-63-61  
Курск (4712)77-13-04  
Курган (3522)50-90-47  
Липецк (4742)52-20-81

Магнитогорск (3519)55-03-13  
Москва (495)268-04-70  
Мурманск (8152)59-64-93  
Набережные Челны (8552)20-53-41  
Нижний Новгород (831)429-08-12  
Новокузнецк (3843)20-46-81  
Ноябрьск (3496)41-32-12  
Новосибирск (383)227-86-73  
Омск (3812)21-46-40  
Орел (4862)44-53-42  
Оренбург (3532)37-68-04  
Пенза (8412)22-31-16  
Петрозаводск (8142)55-98-37  
Псков (8112)59-10-37  
Пермь (342)205-81-47

Ростов-на-Дону (863)308-18-15  
Рязань (4912)46-61-64  
Самара (846)206-03-16  
Санкт-Петербург (812)309-46-40  
Саратов (845)249-38-78  
Севастополь (8692)22-31-93  
Саранск (8342)22-96-24  
Симферополь (3652)67-13-56  
Смоленск (4812)29-41-54  
Сочи (862)225-72-31  
Ставрополь (8652)20-65-13  
Сургут (3462)77-98-35  
Сыктывкар (8212)25-95-17  
Тамбов (4752)50-40-97  
Тверь (4822)63-31-35

Тольятти (8482)63-91-07  
Томск (3822)98-41-53  
Тула (4872)33-79-87  
Тюмень (3452)66-21-18  
Ульяновск (8422)24-23-59  
Улан-Удэ (3012)59-97-51  
Уфа (347)229-48-12  
Хабаровск (4212)92-98-04  
Чебоксары (8352)28-53-07  
Челябинск (351)202-03-61  
Череповец (8202)49-02-64  
Чита (3022)38-34-83  
Якутск (4112)23-90-97  
Ярославль (4852)69-52-93

Россия +7(495)268-04-70

Казахстан +7(7172)727-132

Киргизия +996(312)96-26-47

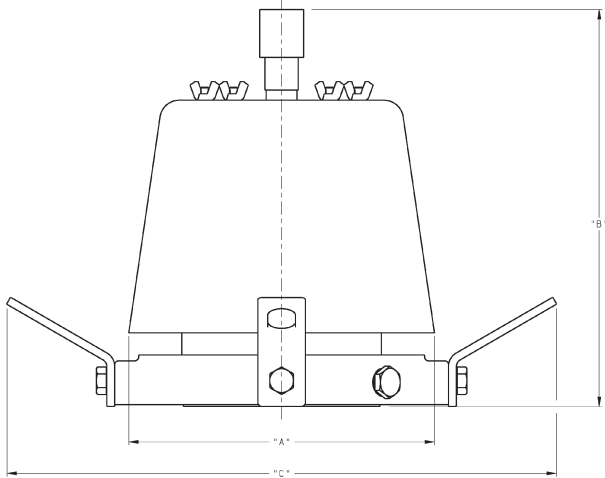
## STANDARD/GENERAL SPECIFICATIONS

**Gaskets:**            Standard: TFE/TFE Rope

**Painting:**            Standard: Exterior coating will be a combination of Cashco Paint Specs #S-1777 epoxy and #S-1743 powder coated. Fasteners, seat surfaces and corrosion resistant parts excluded.

**Diaphragm**  
**Temperature**  
**Limits:**            FEP-TFE:  
                         -400° to 400° F (-240° to 204°C)  
                         Fluorocarbon Elastomer – (FKM):  
                         -20° to 400° F (-28° to 204°C)  
                         Buna-N (Nitrile-NBR):  
                         -30° to 200° F (-34° to 93°C)  
                         EPDM (Ethylenepropylene):  
                         -40° to 225° F (-40° to 107°C)

**DIMENSIONS**



Aluminum, Carbon Steel & Stainless Steel Flange & Weather Hood in. (mm)						Weight lbs. (kg.)		
Size In (DN)	A (diam.)		B		C		Aluminum	CS / SST
2" (50)	7.50"	(191)	9.54"	(242)	N/A	N/A	7 (3)	14 (6)
3" (80)	9.20"	(234)	10.56"	(271)	N/A	N/A	11 (5)	22 (10)
4" (100)	9.62"	(244)	12.50"	(317)	17.29"	(439)	16 (7)	32 (14)
6" (150)	13.00"	(330)	14.61"	(371)	19.29"	(490)	21 (9)	42 (19)

The contents of this publication are presented for informational purposes only, and while every effort has been made to ensure their accuracy, they are not to be construed as warranties or guarantees, express or implied, regarding the products or services described herein or their use or applicability. We reserve the right to modify or improve the designs or specifications of such product at any time without notice.  
 Cashco, Inc. does not assume responsibility for the selection, use or maintenance of any product. Responsibility for proper selection, use and maintenance of any Cashco, Inc. product remains solely with the purchaser.

# 4400 Series PRODUCT CODE

02/07/20

Last 6 Characters reserved for SPQ drawing numbers assigned by Cashco Inc.  
(Format as - # # # # #)



POSITION 4 - FLANGE - SIZE			
ASME INCH	CODE	DIN FLANGES DN (rating)	CODE
2"	2	50 (PN16)	H
3"	3	80 (PN16)	J
4"	4	100 (PN16)	K
6"	6	150 (PN16)	L

POSITION 5 - BODY / TRIM / WEATHER HOOD MATERIALS	
MATERIAL	W/O Flamescreen
	CODE
ALUM/SST/SST	A
CS/SST/CS	C
SST/SST/SST	S

POSITION 7 - DIAPHRAGM MATERIALS	
DIAPHRAGM	CODE
FEP TFE (Std.)	A
Buna-N	B
EPDM	D
FKM	F

POSITION 8 - PRESSURE SET POINT		
Spring Loaded Range		CODE
psig	barg	
1.25 - 4	.08 - .27	2
> 4 - 6	> .27 - .41	3
> 6 - 8	> .41 - .55	4
> 8 - 10	> .55 - .68	5
> 10 - 12	> .68 - .83	6
> 12 - 13	> .83 - .89	7
> 13 - 15	> .89 - 1.03	8

Алматы (7273)495-231  
Ангарск (3955)60-70-56  
Архангельск (8182)63-90-72  
Астрахань (8512)99-46-04  
Барнаул (3852)73-04-60  
Белгород (4722)40-23-64  
Благовещенск (4162)22-76-07  
Брянск (4832)59-03-52  
Владивосток (423)249-28-31  
Владикавказ (8672)28-90-48  
Владимир (4922)49-43-18  
Волгоград (844)278-03-48  
Вологда (8172)26-41-59  
Воронеж (473)204-51-73  
Екатеринбург (343)384-55-89

Иваново (4932)77-34-06  
Ижевск (3412)26-03-58  
Иркутск (395)279-98-46  
Казань (843)206-01-48  
Калининград (4012)72-03-81  
Калуга (4842)92-23-67  
Кемерово (3842)65-04-62  
Киров (8332)68-02-04  
Коломна (4966)23-41-49  
Кострома (4942)77-07-48  
Краснодар (861)203-40-90  
Красноярск (391)204-63-61  
Курск (4712)77-13-04  
Курган (3522)50-90-47  
Липецк (4742)52-20-81

Магнитогорск (3519)55-03-13  
Москва (495)268-04-70  
Мурманск (8152)59-64-93  
Набережные Челны (8552)20-53-41  
Нижний Новгород (831)429-08-12  
Новокузнецк (3843)20-46-81  
Ноябрьск (3496)41-32-12  
Новосибирск (383)227-86-73  
Омск (3812)21-46-40  
Орел (4862)44-53-42  
Оренбург (3532)37-68-04  
Пенза (8412)22-31-16  
Петрозаводск (8142)55-98-37  
Псков (8112)59-10-37  
Пермь (342)205-81-47

Ростов-на-Дону (863)308-18-15  
Рязань (4912)46-61-64  
Самара (846)206-03-16  
Санкт-Петербург (812)309-46-40  
Саратов (845)249-38-78  
Севастополь (8692)22-31-93  
Саранск (8342)22-96-24  
Симферополь (3652)67-13-56  
Смоленск (4812)29-41-54  
Сочи (862)225-72-31  
Ставрополь (8652)20-65-13  
Сургут (3462)77-98-35  
Сыктывкар (8212)25-95-17  
Тамбов (4752)50-40-97  
Тверь (4822)63-31-35

Тольятти (8482)63-91-07  
Томск (3822)98-41-53  
Тула (4872)33-79-87  
Тюмень (3452)66-21-18  
Ульяновск (8422)24-23-59  
Улан-Удэ (3012)59-97-51  
Уфа (347)229-48-12  
Хабаровск (4212)92-98-04  
Чебоксары (8352)28-53-07  
Челябинск (351)202-03-61  
Череповец (8202)49-02-64  
Чита (3022)38-34-83  
Якутск (4112)23-90-97  
Ярославль (4852)69-52-93

Россия +7(495)268-04-70

Казахстан +7(7172)727-132

Киргизия +996(312)96-26-47

<https://cashco.nt-rt.ru/> || [coc@nt-rt.ru](mailto:coc@nt-rt.ru)