

CONSTRUCTION

Housing Material: The Model 4300 vent is a rugged design made to last. Available in Aluminum, Carbon Steel, or 316 SST

Sizes - Connections. Available in Sizes 2" through 6". CS and SST vents have Raised Face Flange, Aluminum vents have Flat Face Flange to mate with standard ASME 150# flange connections.

Pallet Diaphragm Material: FEP TFE is standard. Also available Buna-N, EPDM or Fluorocarbon Elastomer (FKM).

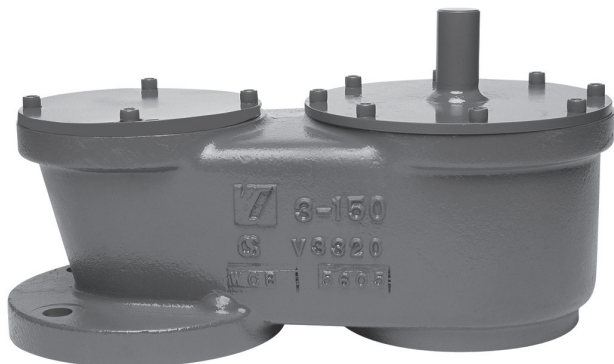
SPECIAL FEATURES

Modular: The Model 4300 spring loaded end-of-line vacuum vent is part of Valve Concepts, Inc. modular vent product line. The vacuum vent can easily be converted to a pressure / vacuum vent, venting to atmosphere or with a pipeaway, which can either be weight loaded, spring loaded or pilot operated depending on the application requirements.

Maintains Accurate Vacuum Settings. The minimum vacuum setting is 1.0 psig and the maximum vacuum setting is 15 psig. As with every vent supplied by Valve Concepts, Inc. a certified test report is provided verifying vent setting and leakage. All spring loaded vacuum vents are suitable for intermittent back pressures of 50 psig. Higher back pressure ratings available on request.

Condensate Drainage. Self-draining housing body and drip rings keep condensate away from seating surfaces, preventing freezing, binding and clogging.

Air-Cushioned Seating. Air-cushion seating provides tight sealing to reduce the unnecessary intake of air into the tank and loss of vapors to the atmosphere.



Model 4300
Spring Loaded Vacuum Vent
End-of-Line

OBJECTIVE

The Model 4300 end-of-line spring loaded vacuum vent is intended for use on storage tanks, vapor recovery systems and process systems where higher vacuum relief settings are required.

TECHNIQUE

A spring loaded vacuum pallet assembly in the vent housing remains closed until the set point is reached during normal inbreathing due to product movement out of the tank and/or temperature changes. When the set point of the vent is reached, the spring loaded pallet opens to permit the intake of air to prevent tank damage. Once the vacuum is satisfied the pallet closes providing a tight seal.

MATERIALS OF CONSTRUCTION		
Series	Housing	Pallet
4300CS	CS	316 SST
4300SST	316 SST	316 SST
4300A	Aluminum	316 SST

Алматы (7273)495-231
Ангарск (3955)60-70-56
Архангельск (8182)63-90-72
Астрахань (8512)99-46-04
Барнаул (3852)73-04-60
Белгород (4722)40-23-64
Благовещенск (4162)22-76-07
Брянск (4832)59-03-52
Владивосток (423)249-28-31
Владикавказ (8672)28-90-48
Владимир (4922)49-43-18
Волгоград (844)278-03-48
Волгод (8172)26-41-59
Воронеж (473)204-51-73
Екатеринбург (343)384-55-89

Иваново (4932)77-34-06
Ижевск (3412)26-03-58
Иркутск (395)279-98-46
Казань (843)206-01-48
Калининград (4012)72-03-81
Калуга (4842)92-23-67
Кемерово (3842)65-04-62
Киров (8332)68-02-04
Коломна (4966)23-41-49
Кострома (4942)77-07-48
Краснодар (861)203-40-90
Красноярск (391)204-63-61
Курск (4712)77-13-04
Курган (3522)50-90-47
Липецк (4742)52-20-81

Магнитогорск (3519)55-03-13
Москва (495)268-04-70
Мурманск (8152)59-64-93
Набережные Челны (8552)20-53-41
Нижний Новгород (831)429-08-12
Новокузнецк (3843)20-46-81
Новыйск (3496)41-32-12
Новосибирск (383)227-86-73
Омск (3812)21-46-40
Орел (4862)44-53-42
Оренбург (3532)37-68-04
Пенза (8412)22-31-16
Петрозаводск (8142)55-98-37
Псков (8112)59-10-37
Пермь (342)205-81-47

Ростов-на-Дону (863)308-18-15
Рязань (4912)46-61-64
Самара (846)206-03-16
Санкт-Петербург (812)309-46-40
Саратов (845)206-38-78
Севастополь (8692)22-31-93
Саранск (8342)22-96-24
Симферополь (3652)67-13-56
Смоленск (4812)29-41-54
Сочи (862)225-72-31
Ставрополь (8652)20-65-13
Сургут (3462)77-98-35
Сыктывкар (8212)25-95-17
Тамбов (4752)50-40-97
Тверь (4822)63-31-35

Тольятти (8482)63-91-07
Томск (3822)98-41-53
Тула (4872)33-79-87
Тюмень (3452)66-21-18
Ульяновск (8422)24-23-59
Улан-Удэ (3012)59-97-51
Уфа (347)229-48-12
Хабаровск (4212)92-98-04
Чебоксары (8352)28-53-07
Челябинск (351)202-03-61
Череповец (8202)49-02-64
Чита (3022)38-34-83
Якутск (4112)23-90-97
Ярославль (4852)69-52-93

Россия +7(495)268-04-70

Казахстан +7(7172)727-132

Киргизия +996(312)96-26-47

STANDARD/GENERAL SPECIFICATIONS

Gaskets: Standard: TFE/TFE Rope

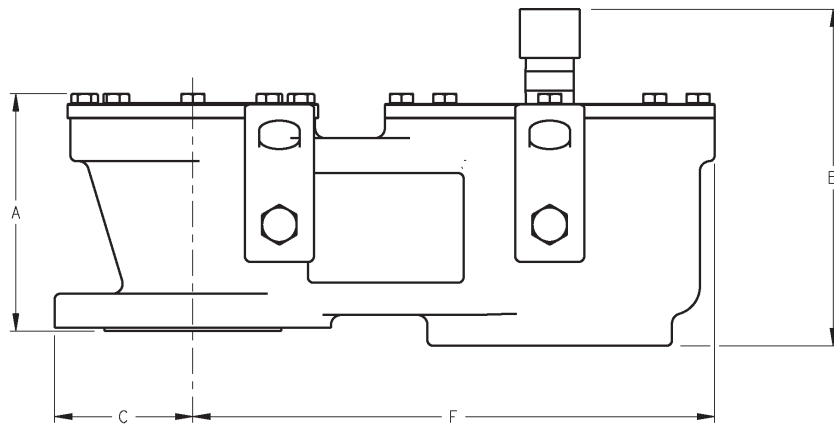
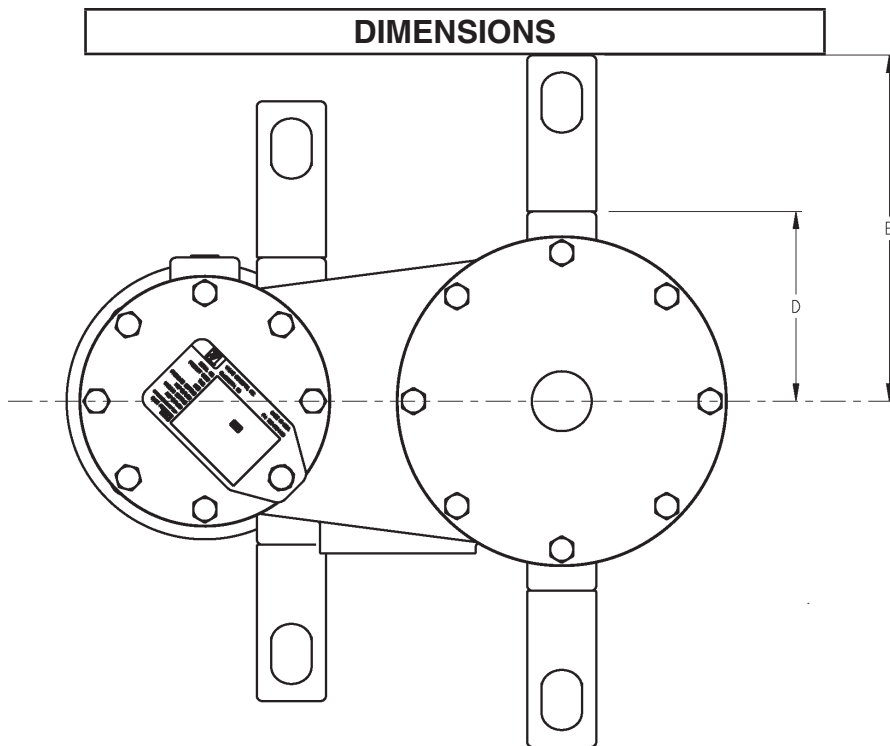
Diaphragm
Temperature
Limits: FEP-TFE:
-400° to 400° F (-240° to 204°C)
Fluorocarbon Elastomer – (FKM):
-20° to 400° F (-28° to 204°C)
Buna-N (Nitrile-NBR):
-30° to 200° F (-34° to 93°C)
EPDM (Ethylenepropylene):
-40° to 225° F (-40° to 107°C)

Painting: Standard: Exterior coating will be a combination of Cashco Paint Specs #S-1777 epoxy and #S-1743 powder coated. Fasteners, seat surfaces - corrosion resistant parts excluded.

OPTION SPECIFICATIONS

BUG SCREEN - 304 stainless steel, 4x4 welded mesh.

FLAME SCREEN - 304 stainless steel, 30x30 woven mesh



ENGLISH Units - in Aluminum, Carbon Steel & Stainless Steel Body							Weight lbs.	
SIZE In	A	B	C	D	E	F	Alum	CS/SST
2"	5.24	6.69	3.00	4.18	7.51	9.48	16	47
3"	6.34	7.60	3.75	4.55	7.89	12.31	20	65
4"	7.27	9.68	4.50	5.84	9.23	16.38	32	95
6"	7.85	8.94	5.50	7.91	11.27	20.00	45	141
METRIC Units - mm Aluminum, Carbon Steel & Stainless Steel Body							Weight kg.	
2"	132	170	77	106	191	241	8	21
3"	161	193	96	115	200	313	9	28
4"	184	245	115	148	234	416	14	41
6"	199	227	140	201	286	508	20	61

The contents of this publication are presented for informational purposes only, and while every effort has been made to ensure their accuracy, they are not to be construed as warranties or guarantees, express or implied, regarding the products or services described herein or their use or applicability. We reserve the right to modify or improve the designs or specifications of such product at any time without notice. Cashco, Inc. does not assume responsibility for the selection, use or maintenance of any product. Responsibility for proper selection, use and maintenance of any Cashco, Inc. product remains solely with the purchaser.

4300 Series PRODUCT CODE

02/07/20

Last 6 Characters reserved for SPQ drawing numbers assigned by Cashco Inc.
(Format as - # # # # #)



POSITION 3 - PALLET DESIGN	
Material	CODE
STD	0
Intermittent Back Pressure 50 psig Max.	B

POSITION 4 - FLANGE - SIZE			
ASME INCH	CODE	DIN FLANGES DN (rating)	CODE
2"	2	50 (PN16)	H
3"	3	80 (PN16)	J
4"	4	100 (PN16)	K
6"	6	150 (PN16)	L

POSITION 5 - BODY / TRIM MATERIALS			
MATERIAL	Std. W/O Flamescreen	W/ Flame Screen	W/ Bug Screen
	CODE	CODE	CODE
ALUM/SST	A	B	N
CS/SST	C	D	P
SST/SST	S	T	R

POSITION 7 - DIAPHRAGM MATERIALS	
Diaphragm	CODE
FEP TFE (Std)	A
Buna-N	B
EPDM	D
FKM	F

POSITION 8 - VACUUM SET POINT		
Spring Loaded Range		CODE
psig	barg	
1 - 4	.06 - .27	2
> 4 - 6	> .27 - .41	3
> 6 - 8	> .41 - .55	4
> 8 - 10	> .55 - .68	5
> 10 - 12	> .68 - .83	6
> 12 - 13	> .83 - .89	7
> 13 - 15	> .89 - 1.03	8

Алматы (7273)495-231
 Ангарск (3955)60-70-56
 Архангельск (8182)63-90-72
 Астрахань (8512)99-46-04
 Барнаул (3852)73-04-60
 Белгород (4722)40-23-64
 Благовещенск (4162)22-76-07
 Брянск (4832)59-03-52
 Владивосток (423)249-28-31
 Владикавказ (8672)28-90-48
 Владимир (4922)49-43-18
 Волгоград (844)278-03-48
 Вологда (8172)26-41-59
 Воронеж (473)204-51-73
 Екатеринбург (343)384-55-89

Иваново (4932)77-34-06
 Ижевск (3412)26-03-58
 Иркутск (395)279-98-46
 Казань (843)206-01-48
 Калининград (4012)72-03-81
 Калуга (4842)92-23-67
 Кемерово (3842)65-04-62
 Киров (8332)68-02-04
 Коломна (4966)23-41-49
 Кострома (4942)77-07-48
 Краснодар (861)203-40-90
 Красноярск (391)204-63-61
 Курск (4712)77-13-04
 Курган (3522)50-90-47
 Липецк (4742)52-20-81

Магнитогорск (3519)55-03-13
 Москва (495)268-04-70
 Мурманск (8152)59-64-93
 Набережные Челны (8552)20-53-41
 Нижний Новгород (831)429-08-12
 Новокузнецк (3843)20-46-81
 Ноябрьск (3496)41-32-12
 Новосибирск (383)227-86-73
 Омск (3812)21-46-40
 Орел (4862)44-53-42
 Оренбург (3532)37-68-04
 Пенза (8412)22-31-16
 Петрозаводск (8142)55-98-37
 Псков (8112)59-10-37
 Пермь (342)205-81-47

Ростов-на-Дону (863)308-18-15
 Рязань (4912)46-61-64
 Самара (846)206-03-16
 Санкт-Петербург (812)309-46-40
 Саратов (845)249-38-78
 Севастополь (8692)22-31-93
 Саранск (8342)22-96-24
 Симферополь (3652)67-13-56
 Смоленск (4812)29-41-54
 Сочи (862)225-72-31
 Ставрополь (8652)20-65-13
 Сургут (3482)77-98-35
 Сыктывкар (8212)25-95-17
 Тамбов (4752)50-40-97
 Тверь (4822)63-31-35

Тольятти (8482)63-91-07
 Томск (3822)98-41-53
 Тула (4872)33-79-87
 Тюмень (3452)66-21-18
 Ульяновск (8422)24-23-59
 Улан-Уда (3012)59-97-51
 Уфа (347)229-48-12
 Хабаровск (4212)92-98-04
 Чебоксары (8352)28-53-07
 Челябинск (351)202-03-61
 Череповец (8202)49-02-64
 Чита (3022)38-34-83
 Якутск (4112)23-90-97
 Ярославль (4852)69-52-93

Россия +7(495)268-04-70

Казахстан +7(7172)727-132

Киргизия +996(312)96-26-47

<https://cashco.nt-rt.ru/> || coc@nt-rt.ru