



ISO Registered Company



MODEL 3K00 Pressure / Vacuum Vent

OBJECTIVE

The Model 3K00 Pressure / Vacuum Vent is designed for use on atmospheric and low-pressure storage tanks where pressure and vacuum relief is required.

TECHNIQUE

Weight loaded pallets in the vent housing allow the intake of air and the escape of vapors as the tank breathes due to thermal changes and product movement in and out of the tank. The pallets open and close to permit in breathing and out breathing necessary to maintain the tank pressure within permissible limits to avoid damage to the tank.

Sizes: Available in sizes DN50 (2”), DN80 (3”), DN100 (4”), DN150 (6”), DN200 (8”), DN250 (10”) and DN300 (12”). All vents have a raised face connection flange. Standard flanged bolt patterns are available to mate with DIN PN10 or ASME Class 150 flanged connections.

CONSTRUCTION

Housing Material: Available in carbon steel, stainless steel, in sizes DN50 (2”) through DN300 (12”).

Seat Rings: Press-fitted metal seat rings in stainless steel 1.4581.

Pallets Assemblies: Replaceable stainless steel pallet assemblies are standard for all vents.

Pallet Diaphragms: Standard diaphragm material is FEP film.

SPECIAL FEATURES

The Model 3K00 is designed, manufactured and tested according to Directive 2014/34/EU (ATEX114), ISO 80079:36 and ISO 80079:37.

Maintains Accurate Settings: Standard settings for pressure are +5 mbar to +50 mbar and for vacuum -2,5 to -50 mbar. Other settings are available upon request.

All vents are tested to Cashco high standards for both leakage and set point prior to shipment. A certified test certificate is included with each vent verifying the accuracy of both the pressure and vacuum setting and leakage. Seat leakage meets or exceeds international standards (ISO 28300, API 2000).

Condensate Drainage: Self-draining body and specially designed seat ring keeps condensate away from seating surfaces, preventing freezing, binding and clogging.

Air-Cushioned Seating: Air-cushion seating provides tight sealing to reduce evaporation losses and the release of toxic vapors. The pallets have center guiding stem to provide self alignment and tight seating.

Алматы (7273)495-231
Ангарск (3955)60-70-56
Архангельск (8182)63-90-72
Астрахань (8512)99-46-04
Барнаул (3852)73-04-60
Белгород (4722)40-23-64
Благовещенск (4162)22-76-07
Брянск (4832)59-03-52
Владивосток (423)249-28-31
Владикавказ (8672)28-90-48
Владимир (4822)49-43-18
Волгоград (844)278-03-48
Вологда (8172)26-41-59
Воронеж (473)204-51-73
Екатеринбург (343)384-55-89

Иваново (4932)77-34-06
Ижевск (3412)26-03-58
Иркутск (395)279-98-46
Казань (843)206-01-48
Калининград (4012)72-03-81
Калуга (4842)92-23-67
Кемерово (3842)65-04-62
Киров (8332)68-02-04
Коломна (4966)23-41-49
Кострома (4942)77-07-48
Краснодар (861)203-40-90
Красноярск (391)204-63-61
Курск (4712)77-13-04
Курган (3522)50-90-47
Липецк (4742)52-20-81

Магнитогорск (3519)55-03-13
Москва (495)268-04-70
Мурманск (8152)59-64-93
Набережные Челны (8552)20-53-41
Нижний Новгород (831)429-08-12
Новокузнецк (3843)20-46-81
Ноябрьск (3496)41-32-12
Новосибирск (383)227-86-73
Омск (3812)21-46-40
Орел (4862)44-53-42
Оренбург (3532)37-68-04
Пенза (8412)22-31-16
Петрозаводск (8142)55-98-37
Псков (8112)59-10-37
Пермь (342)205-81-47

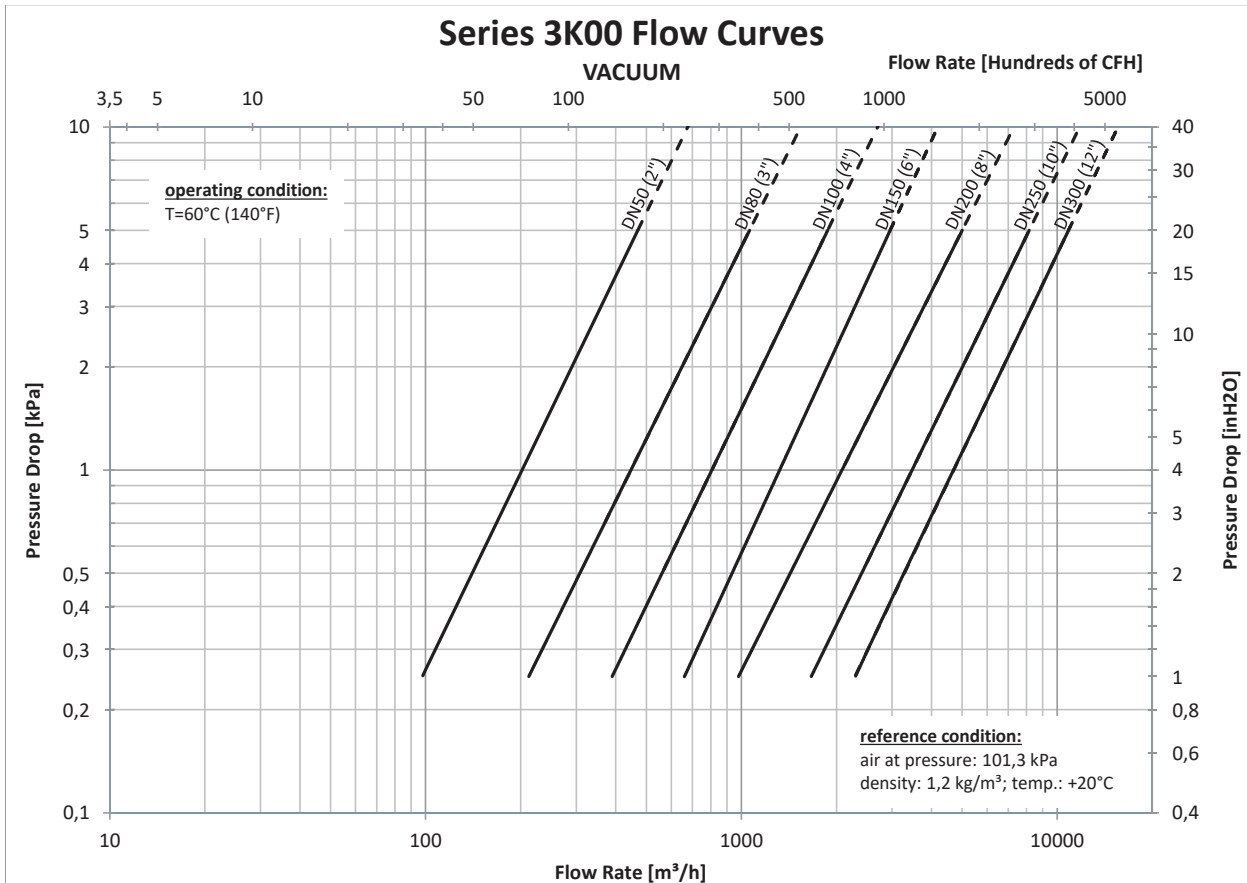
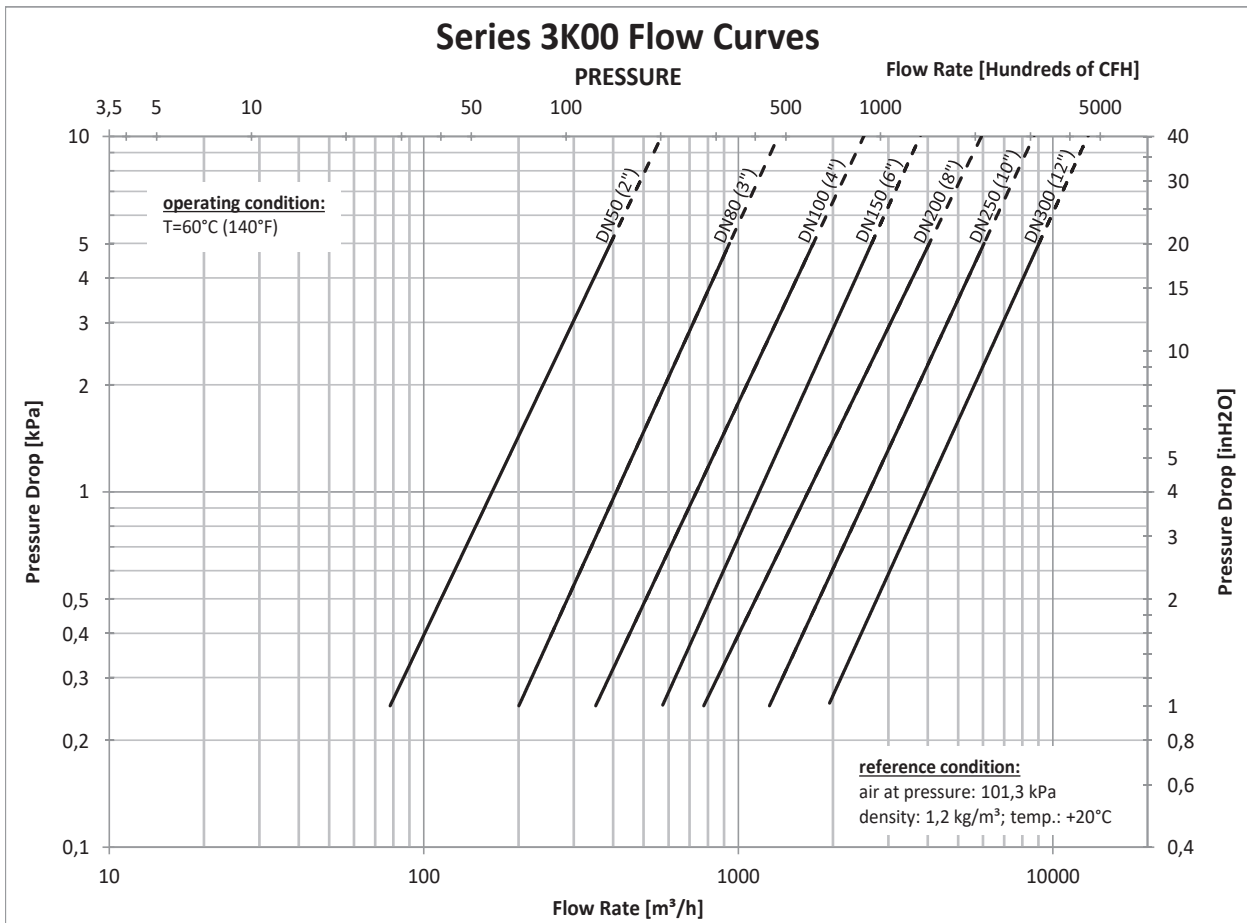
Ростов-на-Дону (863)308-18-15
Рязань (4912)46-61-64
Самара (846)206-03-16
Санкт-Петербург (812)309-46-40
Саратов (845)249-38-78
Севастополь (8692)22-31-93
Саранск (8342)22-96-24
Симферополь (3652)67-13-56
Смоленск (4812)29-41-54
Сочи (862)225-72-31
Ставрополь (8652)20-65-13
Сургут (3462)77-98-35
Сыктывкар (8212)25-95-17
Тамбов (4752)50-40-87
Тверь (4822)63-31-35

Тольятти (8482)63-91-07
Томск (3822)98-41-53
Тула (4872)33-79-87
Тюмень (3452)66-21-18
Ульяновск (8422)24-23-59
Улан-Удэ (3012)59-97-51
Уфа (347)229-48-12
Хабаровск (4212)92-98-04
Чебоксары (8352)28-53-07
Челябинск (351)202-03-61
Череповец (8202)49-02-64
Чита (3022)38-34-83
Якутск (4112)23-90-97
Ярославль (4852)69-52-93

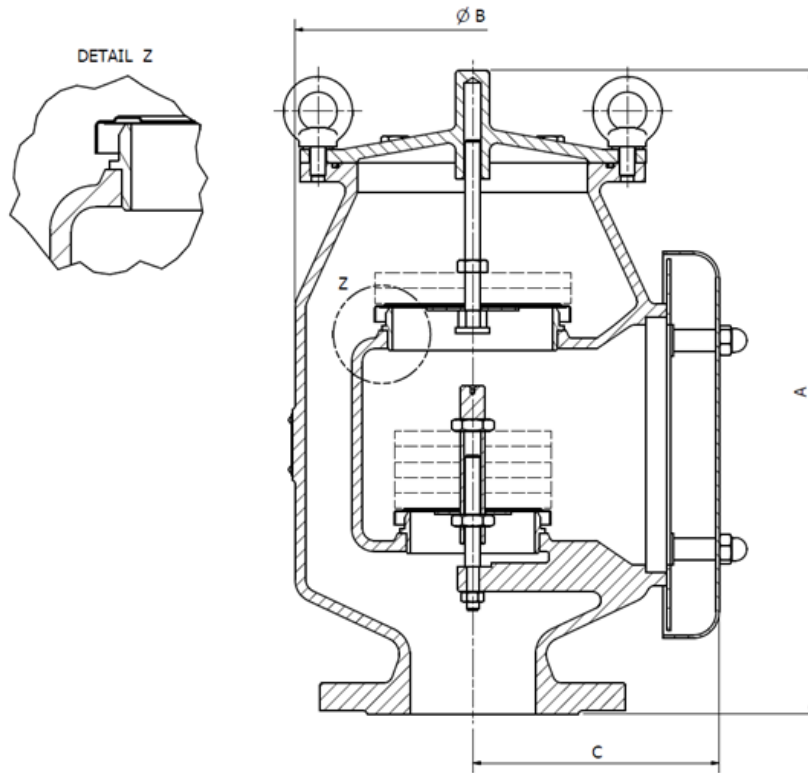
Россия +7(495)268-04-70

Казахстан +7(7172)727-132

Киргизия +996(312)96-26-47



DIMENSIONS & WEIGHTS



Metric Units	DN50 (2")	DN80 (3")	DN100 (4")	DN150 (6")	DN200 (8")	DN250 (10")	DN300 (12")
A [mm]	344	416	470	546	630	750	870
Ø B [mm]	180	232	290	320	410	480	570
C [mm]	134	161	203	226	270	316	395
Weight * [kg]	22	30	45	70	114	172	238

English Units	DN50 (2")	DN80 (3")	DN100 (4")	DN150 (6")	DN200 (8")	DN250 (10")	DN300 (12")
A [in]	13.5	16.4	18.5	21.5	24.8	29.5	34.3
Ø B [in]	7.1	9.1	11.4	12.6	16.1	18.9	22.4
C [in]	5.3	6.3	8.0	8.9	10.6	12.4	15.6
Weight * [lbs]	49	66	99	154	251	379	525

* Without additional setting weights

The contents of this publication are presented for informational purposes only, and while every effort has been made to ensure their accuracy, they are not to be construed as warranties or guarantees, express or implied, regarding the products or services described herein or their use or applicability. We reserve the right to modify or improve the designs or specifications of such product at any time without notice. Cashco, Inc. does not assume responsibility for the selection, use or maintenance of any product. Responsibility for proper selection, use and maintenance of any Cashco, Inc. product remains solely with the purchaser.

3K00 Series PRODUCT CODE 06/06/23



POSITION 3 & 4 Size / Explosion Group	
Size	IIB3
	Code
2" (DN50)	F9
3" (DN80)	FS
4" (DN100)	G0
6" (DN150)	G8
8" (DN200)	GG
10" (DN250)	GR
12" (DN300)	GS

POSITION 5 Operating Condition		
P _{max} absolute in kPa (psi)	T _{max} in °C (°F)	Code
110 (16)	≤ 60 (140)	1

POSITION 8 Hood Material	
Material	Code
Carbon Steel	1 *
Stainless Steel (1.4571)	2

* Available for sizes > DN100 (4")

POSITION 9 & 10 Housing Materials / Connection		
Material	DIN PN10	ASME 150 RF
	Code	
Carbon Steel 1.0619	37	39
Stainless Steel 1.4581	97	99

POSITION 11 O-Ring Material	
Material	Code
NBR	1
FKM	2
EPDM	3
FKM/FEP Covered	4

POSITION 12 Weight Material	
Material	Code
Carbon Steel, Zinc Plated	1
Stainless Steel (1.4571)	2

POSITION 13 & 14 Set Pressure	
Set Point	Code
+ 5 mbar	05
+ 6 mbar	06
...	...
+ 49 mbar	49
+ 50 mbar	50

(1 mbar = 0,402 in H₂O)

POSITION 15 & 16 Set Vacuum	
Set Point	Code
- 2.5 mbar	02
- 3 mbar	03
...	...
- 49 mbar	49
- 50 mbar	50

(1 mbar = 0,402 in H₂O)

POSITION 17 Nameplate	
Material / Language	Code
Stainless Steel / German	1
Stainless Steel / English	2

POSITION 18 Surface Coating	
Paint	Code
No Paint	0
Epoxy Signal Blue (RAL5005)	1

Алматы (7273)495-231
Ангарск (3955)60-70-56
Архангельск (8182)63-90-72
Астрахань (8512)99-46-04
Барнаул (3852)73-04-60
Белгород (4722)40-23-64
Благовещенск (4162)22-76-07
Брянск (4832)59-03-52
Владивосток (423)249-28-31
Владикавказ (8672)28-90-48
Владимир (4922)49-43-18
Волгоград (844)278-03-48
Вологда (8172)26-41-59
Воронеж (473)204-51-73
Екатеринбург (343)384-55-89

Иваново (4932)77-34-06
Ижевск (3412)26-03-58
Иркутск (395)279-98-46
Казань (843)206-01-48
Калининград (4012)72-03-81
Калуга (4842)92-23-67
Кемерово (3842)65-04-62
Киров (8332)68-02-04
Коломна (4966)23-41-49
Кострома (4942)77-07-48
Краснодар (861)203-40-90
Красноярск (391)204-63-61
Курск (4712)77-13-04
Курган (3522)50-90-47
Липецк (4742)52-20-81

Магнитогорск (3519)55-03-13
Москва (495)268-04-70
Мурманск (8152)59-64-93
Набережные Челны (8552)20-53-41
Нижний Новгород (831)429-08-12
Новокузнецк (3843)20-46-81
Новыйорск (3496)41-32-12
Новосибирск (383)227-86-73
Омск (3812)21-46-40
Орел (4862)44-53-42
Оренбург (3532)37-68-04
Пенза (8412)22-31-16
Петрозаводск (8142)55-98-37
Псков (8112)59-10-37
Пермь (342)205-81-47

Ростов-на-Дону (863)308-18-15
Рязань (4912)46-61-64
Самара (846)206-03-16
Санкт-Петербург (812)309-46-40
Саратов (845)249-38-78
Севастополь (8692)22-31-93
Саранск (8342)22-96-24
Симферополь (3652)67-13-56
Смоленск (4812)29-41-54
Сочи (862)225-72-31
Ставрополь (8652)20-65-13
Сургут (3462)77-98-35
Сыктывкар (8212)25-95-17
Тамбов (4752)50-40-97
Тверь (4822)63-31-35

Тольятти (8482)63-91-07
Томск (3822)98-41-53
Тула (4872)33-79-87
Тюмень (3452)66-21-18
Ульяновск (8422)24-23-59
Улан-Удэ (3012)59-97-51
Уфа (347)229-48-12
Хабаровск (4212)92-98-04
Чебоксары (8352)28-53-07
Челябинск (351)202-03-61
Череповец (8202)49-02-64
Чита (3022)38-34-83
Якутск (4112)23-90-97
Ярославль (4852)69-52-93

Россия +7(495)268-04-70

Казахстан +7(7172)727-132

Киргизия +996(312)96-26-47

<https://cashco.nt-rt.ru/> || coc@nt-rt.ru